

Epson Stylus® Pro 3880

USER'S GUIDE

All rights reserved. No part of this publication may be reproduced, stored in a retrieval system, or transmitted in any form or by any means, electronic, mechanical, photocopying, recording, or otherwise, without the prior written permission of Seiko Epson Corporation. The information contained herein is designed only for use with these Epson printers. Epson is not responsible for any use of this information as applied to other printers.

Trademarks

Epson, Epson Stylus, and Epson UltraChromeK3 are registered trademarks, and Epson Exceed Your Vision is a registered logomark of Seiko Epson Corporation.

UltraSmooth is a registered trademark, PhotoEnhance is a trademark, and Epson Preferred and Epson Store are service marks of Epson America, Inc.

General Notice: Other product names used herein are for identification purposes only and may be trademarks of their respective owners. Epson disclaims any and all rights in those marks.

This information is subject to change without notice.

Legal Notices

Neither Seiko Epson Corporation nor its affiliates shall be liable to the purchaser of this product or third parties for damages, losses, costs, or expenses incurred by purchaser or third parties as a result of: accident, misuse, or abuse of this product or unauthorized modifications, repairs, or alterations to this product, or (excluding the U.S.) failure to strictly comply with Seiko Epson Corporation's operating and maintenance instructions.

Seiko Epson Corporation shall not be liable for any damages or problems arising from the use of any options or any consumable products other than those designated as Original Epson Products or Epson Approved Products by Seiko Epson Corporation.



FCC Compliance Statement

For United States Users

This equipment has been tested and found to comply with the limits for a Class B digital device, pursuant to Part 15 of the FCC Rules. These limits are designed to provide reasonable protection against harmful interference in a residential installation. This equipment generates, uses, and can radiate radio frequency energy and, if not installed and used in accordance with the instructions, may cause harmful interference to radio or television reception. However, there is no guarantee that interference will not occur in a particular installation. If this equipment does cause interference to radio and television reception, which can be determined by turning the equipment off and on, the user is encouraged to try to correct the interference by one or more of the following measures:

- Reorient or relocate the receiving antenna.
- Increase the separation between the equipment and receiver.
- Connect the equipment into an outlet on a circuit different from that to which the receiver is connected.
- Consult the dealer or an experienced radio/TV technician for help.

WARNING

The connection of a non-shielded equipment interface cable to this equipment will invalidate the FCC Certification of this device and may cause interference levels which exceed the limits established by the FCC for this equipment. It is the responsibility of the user to obtain and use a shielded equipment interface cable with this device. If this equipment has more than one interface connector, do not leave cables connected to unused interfaces. Changes or modifications not expressly approved by the manufacturer could void the user's authority to operate the equipment.

For Canadian Users

This Class B digital apparatus complies with Canadian ICES-003.

Cet appareil numérique de la classe B est conforme à la norme NMB-003 du Canada.

Contents

Introduction

Warnings, Cautions, Notes, and Tips	9
Macintosh System Requirements	10
Windows System Requirements	10
Options and Supplies	11
Where To Get Help	12
Important Safety Instructions	12
Ink Cartridge Safety Instructions	14

1 Setting Up the Printer On a Network

Connecting to the Network	15
Configuring the Network Interface	16
Printing a Network Status Sheet	18
Installing the Printer Software	18
Windows	18
Mac OS X	20
Adding the Network Port	21
Windows	21
Mac OS X	22

2 Handling Paper and Other Media

Selecting Media for Your Printer	25
Guidelines for Using Epson Media	28
Choosing the Correct Paper Path	29
Loading Paper in the Auto Sheet Feeder	33
Loading Paper Into the Rear Manual Feed Slot	36
Loading Paper Into the Front Manual Feed Slot	38
Adjusting the Platen Gap for Thick or Thin Paper	42
Using Special Paper Configurations	43
Creating a Paper Configuration	43
Selecting a Paper Configuration	45

3 Printing with Epson Drivers for Macintosh

Printing With Mac OS X	48
Choosing Page Setup and Basic Print Options	48
Choosing Color Management Options	54
Choosing Advanced Media Control Options	55
Controlling Borderless Image Expansion	56
Choosing Advanced Black and White Photo Settings	57
Creating a Custom Preset and Printing	59
Managing Print Jobs	60
Checking Ink and Maintenance Status	61
Selecting the Correct Media Type Setting	63

4 Printing with Epson Drivers for Windows

Choosing Basic Print Options	66
Choosing Color Management Options	68
Choosing Paper and Layout Options	71
Choosing Paper Options	71
Choosing Layout Options	73
Choosing Paper Configuration Options	74
Choosing Advanced Black and White Photo Settings	75
Saving, Exporting, and Importing Custom Settings	77
Saving and Exporting a Custom Settings Group	77
Importing a Custom Settings Group	78
Loading a Pre-Defined Settings Group	78
Editing Printer Driver Settings	79
Managing Print Jobs	80
Using the Progress Meter	80
Optimizing Print Speed	81
Setting Monitoring Preferences	83
Selecting the Correct Media Type Setting	84

5 Maintaining and Transporting the Printer

Checking Printer Status and Part Life	88
Printing Status Information	88
Viewing Status Information	89
Checking and Cleaning the Print Head	90
Running a Power Cleaning Cycle	92

Aligning the Print Head	93
Aligning the print head manually	94
Replacing Ink Cartridges	95
Performing Additional Maintenance Tasks	100
Changing the Black Ink Type	101
Changing the Date and Time	101
Adjusting the LCD Contrast	102
Using Maintenance Mode	103
Replacing the Maintenance Cartridge	104
Cleaning the Printer	107
Transporting or Storing the Printer	108
Preparing the Printer for Shipment	108
Setting Up the Printer After Transportation	108
Uninstalling and Reinstalling the Printer Driver	109
Macintosh	109
Windows	109
Updating Your Printer Firmware	110
Downloading the Firmware	110
Updating the Firmware	110

6 Solving Problems

Diagnosing Problems	113
Checking Error Messages and Lights	114
Improving Print Quality	122
Solving Operational Problems	125
Solving Miscellaneous Printing Problems	127
Solving Paper Problems	128
Paper Skews When Printing on Large Format Media	129
Paper Feed or Paper Jam Problems	129

A Specifications

Printing	133
Environmental	134
Electrical	134
Dimensions and Weight	134
Printer Interfaces	135
Safety Approvals	135

Media	135
Printable Area	136
Ink Cartridges	136

Index

Introduction

This *User's Guide* provides important information on setting up and using your printer, loading paper, using the Epson® printer drivers, and replacing ink cartridges. It also tells you how to maintain your printer to keep it working at its best, and provides troubleshooting tips in case you have a problem.

The on-screen version of the *User's Guide* on the CD-ROM can be read using Adobe® Reader®.

For additional information, see the following:

- The *Start Here* sheet explains how to set up your printer, install the software for a USB connection, and load paper. Be sure to follow these instructions to set up your printer correctly. If you are connecting the printer to a network, you also need to see Chapter 1 in this *User's Guide* for software installation instructions.
- The on-screen *Network Guide* on the CD-ROM describes how to set up and configure the printer for use on a network.

Warnings, Cautions, Notes, and Tips

These symbols are used in this book:

WARNINGS must be followed carefully to avoid bodily injury.

Cautions must be observed to avoid damage to your equipment.

Notes contain important information about your printer.

Tips contain additional hints on how to get the most out of your printer.

Macintosh System Requirements

To use your printer in either a stand-alone or peer-to-peer network environment, your Macintosh® system should meet these requirements:

- Mac OS® X 10.5.8 or higher
- PowerPC G5, Intel, or higher processor
- At least 1GB of RAM (2GB or more recommended)
- At least 100MB of free hard disk space to install the software and at least 30GB of free hard disk space for processing files
- Quad-speed (4×) or faster CD-ROM or DVD drive for installing the printer software
- For USB connection: a compliant USB Hi-Speed 2.0 port and a shielded USB “AB” cable from Series A (computer) to Series B (printer), up to 10 feet long
- For network connection: Ethernet-equipped Macintosh and a compatible cable

Caution: Using an improperly shielded cable—especially a cable more than 10 feet (6 m) long—may cause the printer to malfunction.

Note: USB 2.0 is required to run the printer at full speed.

Windows System Requirements

To use your printer in either a stand-alone or peer-to-peer network environment, your system should meet these requirements:

- IBM®-compatible PC with a Pentium® 4, 3 GHz or higher processor recommended
- Microsoft® Windows® 7, Windows Vista®, Windows XP Professional x64 Edition, or Windows XP
- At least 1GB of RAM
- At least 100MB of free hard disk space to install the software, and at least 20GB of free hard disk space for processing files
- Quad-speed (4×) or faster CD-ROM or DVD drive for installing the printer software

Tip: Check the Epson Pro Imaging website at www.proimaging.epson.com for accessories and options that are currently available.

- For USB connection: a Windows-compliant USB Hi-Speed 2.0 port and a shielded USB “AB” cable from Series A (computer) to Series B (printer), up to 10 feet long
- For Ethernet connection: Ethernet-equipped PC and a compatible cable

Options and Supplies

Your Epson Stylus® Pro 3880 offers these optional upgrades and supplies:

Option	Product code
One-year extended warranty	EPP38B1
Two-year extended warranty	EPP38B2
Replacement Ink Maintenance Cartridge	T582000
Ink cartridges	
Matte Black	T580800
Photo Black	T580100
Light Black	T580700
Light Light Black	T580900
Cyan	T580200
Vivid Magenta	T580A00
Light Cyan	T580500
Vivid Light Magenta	T580B00
Yellow	T580400

You can purchase genuine Epson® ink and paper from an authorized Epson reseller. To find the nearest reseller, call 800-GO-EPSON (800-463-7766). Or you can purchase online at www.epsonstore.com (U.S. sales) or www.epson.ca (Canadian sales).

Where To Get Help

Epson provides technical support and information on the installation, configuration, and operation of professional printing products through the Epson PreferredSM Limited Warranty Plan. Dial (888) 377-6611, 6 AM to 6 PM, Pacific Time, Monday through Friday. Days and hours of support are subject to change without notice.

Tip: If you experience difficulty with the toll-free line or your Unit ID number, call (562) 276-1305.

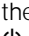
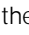
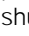
Before you call, make sure you have your Unit ID number, which is included with the Epson Preferred Limited Warranty Plan information that came with your printer. You'll also need your printer serial number and proof of purchase.


Visit Epson's **U.S. support website** (www.epson.com/support) or **Canadian website** (www.epson.ca/support) and select your product for solutions to common problems. You can download drivers, firmware, and documentation, get FAQs and troubleshooting advice, or e-mail Epson with your questions.

Important Safety Instructions

Before using your printer, read the following safety instructions to make sure you use the equipment safely and effectively.

- The printer weighs about 43 pounds (20 kilograms) and should be lifted by two people.
- When setting up the printer, make sure you leave enough space around it. You'll need more space behind the printer if you print on large sheets of heavy stock or posterboard.
- Place the printer on a flat, stable surface that is larger than the printer. The printer will not operate properly if it is tilted or at an angle.
- Avoid places subject to rapid changes in temperature and humidity. Also keep the printer away from direct sunlight, strong light, or heat sources.
- Avoid places subject to shocks and vibrations.
- Keep the printer away from dusty areas.
- Place the printer near a wall outlet where the plug can be easily unplugged.

Caution: Always turn the printer off using the  Power button. When you press this button, **POWER OFF** appears on the LCD panel and the  Power light flashes. Do not unplug the printer or turn off the power to the printer until the panel shuts off and the  Power light stops flashing. This ensures that the print head is safely capped.

- If you use a stand for the printer, make sure it can support at least 43 lb (20 kg)
- Use only the type of power source indicated on the label.
- Use only the power cord that comes with the printer. Use of another cord may result in fire or electric shock.
- The printer's power cord is designed for use with the printer only. Using it with other equipment may result in fire or electric shock.
- Do not use a damaged or frayed power cord.
- If you use an extension cord with the printer, make sure the total ampere rating of devices plugged into the extension cord does not exceed the cord's ampere rating. Also, make sure the total ampere rating of all devices plugged into the wall outlet does not exceed the wall outlet's ampere rating.
- Do not block or cover the openings in the printer's case.
- Do not put your hand inside the printer or touch the ink cartridges during printing.
- Do not move the print head by hand; otherwise you may damage the printer.
- Do not insert objects through the slots. Take care not to spill liquid on the printer.
- Do not attempt to service the printer yourself.
- Turn off the printer by pressing the  Power button, unplug the printer, and refer servicing to qualified service personnel under the following conditions:

The power cord or plug is damaged; liquid has entered the printer; the printer has been dropped or the cabinet damaged; the printer does not operate normally or exhibits a distinct change in performance.

For California customers only:

The lithium batteries in this product contain Perchlorate Material - special handling may apply. See www.dtsc.ca.gov/hazardouswaste/perchlorate.

Caution: Do not use too much force when you shake cartridges that have been previously installed.

Ink Cartridge Safety Instructions

- Keep ink cartridges out of the reach of children and do not drink the ink.
- Store ink cartridges in a cool, dark place.
- If ink gets on your skin, wash it off with soap and water. If ink gets in your eyes, flush them immediately with water.
- Shake an ink cartridge well before installing it for best results.
- Do not use an ink cartridge beyond the date printed on the cartridge carton.
- Use up the ink cartridge within six months of installation for best results.
- Do not dismantle the ink cartridges or try to refill them. This could damage the print head.
- After bringing an ink cartridge inside from a cold storage site, allow it to warm up at room temperature for at least three hours before using it.
- The IC chip on the ink cartridge retains a variety of cartridge information, which allows you to remove and reinsert it freely. However, each time the cartridge is inserted, some ink is consumed because the printer automatically performs a reliability check.
- If you remove an ink cartridge for later use, protect the ink supply area from dirt and dust, and store it in the same environment as this product.
- Do not touch the ink supply port or its surrounding area and the green IC chip on the side of the ink cartridge. Doing so may affect normal operation and printing.

Chapter 1: Setting Up the Printer On a Network

If you are using the printer on a network, follow the instructions in this chapter to:

- Connect the printer to the network
- Configure the network interface
- Install the printer software

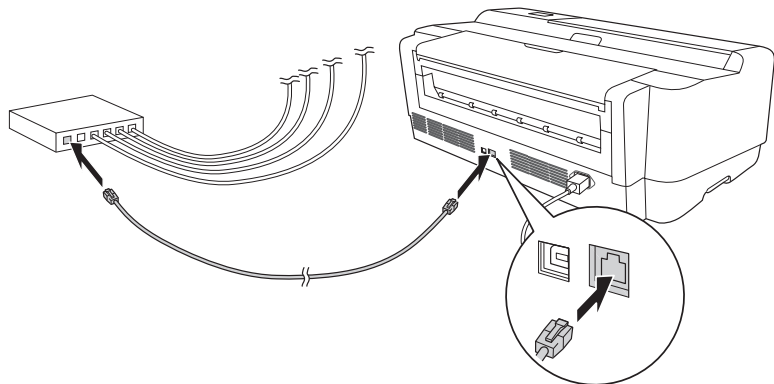
To connect the printer directly to your computer's USB port, see the *Start Here* sheet.

Connecting to the Network

Make sure you have the correct cable for connecting the printer. To connect to a network switch or hub, you need a standard RJ-45 "straight-through" network cable. To connect directly to your computer's network interface, you need an RJ-45 crossover cable.

Note: You must use a Category 5 shielded twisted-pair cable to connect the network interface to prevent malfunction. You can use both 10Base-T and 100Base-TX networks. When you print a lot of data, we recommend using the highest speed available for your product with light network traffic.

1. Turn off the printer.
2. Connect one end of the appropriate cable to the printer's Ethernet port. Then connect the other end to your network switch or hub or your computer's Ethernet port.



3. Turn on the printer.

Once the printer is connected to your network, you need to configure it. See "Configuring the Network Interface" on page 16 for instructions.

Configuring the Network Interface

1. Make sure that the printer is turned on and the LCD displays READY.
2. Press the Menu ► button on the printer's control panel to enter the printer's menu system.
3. Press ▼ to highlight NETWORK SETUP, then press ►.
4. Press ► then ▼ to highlight ENABLE.
5. Press ↵ Enter. An asterisk (*) appears next to ENABLE to show that it's selected.
6. Press ◀ to go back, then press ▼ to highlight IP ADDRESS SETTING.
7. Press ►, then press ▲ or ▼ to choose one of the following IP configuration settings:
 - AUTO: Select this setting if your network uses a DHCP server to provide IP addresses automatically. The printer's IP address will be obtained from the DHCP server whenever the printer is reset or turned on.
 - PANEL: Select this setting if you would like to configure the printer's IP settings manually.
 - PING: Select this setting to set the printer's IP address using the arp command. The IP address is set when the printer is turned off and then back on.
8. Press ↵ Enter. An asterisk (*) appears next to the setting you selected.
9. Press ◀ to go back, then do one of the following:
 - If you selected AUTO as the IP ADDRESS SETTING, press the ⏏ Cancel/Reset button to exit the printer menu. Then continue with step 14.
 - If you selected PANEL as the IP ADDRESS SETTING, continue with step 10.
 - If you selected PING as the IP ADDRESS SETTING, press the ⏏ Cancel/Reset button to exit the printer menu. Print a network status sheet to determine the printer's MAC address (see "Printing a

Note: If you don't know which setting to use, see your network administrator for help configuring the printer's IP settings.

Network Status Sheet” below). Then use the arp command to set the IP address from a computer on the same segment of your network as the printer. Type the arp command on the command line using this format (where X is the IP address you want to assign and Y is the MAC address):

```
arp -s XXX.XXX.XXX.XXX YY-YY-YY-YY-YY-YY
```

After typing the command, continue with step 14

10. Press ▼ to highlight IP, SM, DG SETTING, then press ►. The LCD displays the IP ADDRESS.
11. Press ▲ or ▼ to change each octet value, then press ► to select the next octet. When you have changed the value of the last octet, press ►. The LCD displays the SUBNET MASK.
12. Press ▲ or ▼ to change each octet value, then press ► to select the next octet. When you have changed the value of the last octet, press ►. The LCD displays the DEFAULT GATEWAY.
13. Press ▲ or ▼ to change each octet value, then press ► to select the next octet. When you have changed the value of the last octet, press ↵ Enter, then press the ⏏ Cancel/Reset button to exit the printer menu.
14. Turn the printer off then back on again.
15. See “Printing a Network Status Sheet” below to print a network status sheet and confirm the new IP address. For Windows, you’ll need the IP address during setup.

Now you can install the printer software (see “Installing the Printer Software” on page 18).

Printing a Network Status Sheet

1. Make sure that the printer is not printing and the LCD displays READY.
2. Load 3 sheets of letter-size paper.
3. Press the Menu ► button on the printer's control panel to enter the printer's menu system.
4. Press ▼ to highlight TEST PRINT, then press ►.
5. Press ▼ to highlight NETWORK STATUS SHEET, then press ►.
6. Press ↵ Enter to print the network status sheet.

Installing the Printer Software

To print to the network printer, you need to install the printer driver (printer software) on your computer. See the appropriate section below for your operating system.

Windows

1. Insert the printer software CD in your CD or DVD drive.
2. If the AutoPlay window appears, click Run Setup.exe. If you see the User Account Control screen, click Yes or Continue.

3. Click Install.



4. When you see a screen like this one, click the Manual button.



5. Select LPT1: as the printer port, then click OK.
6. Follow the on-screen instructions to install all necessary software and manuals and register your printer.
7. When you're done, click Exit and eject the CD. Restart your computer if prompted.

See “Adding the Network Port” on page 21 to create a network port for your printer.

Mac OS X

1. Make sure that your computer and printer are turned on and that the printer is connected to the computer.
2. Insert the printer software CD in your CD or DVD drive.
3. Double-click the Epson Stylus Pro 3880 icon.

Note: If you see the message that the installer has detected an older version of EpsonNet Config on your system, you must uninstall the old version before you can install the new one. To uninstall, drag the **EpsonNet** folder to the trash. Then reinstall your printer software.




4. Follow the on-screen instructions to install all necessary software and register your printer.
5. Double-click the *User's Guide* icon to place links to the *User's Guide* and *Network Guide* on your desktop.
6. If connecting to a network, double-click the Ethernet Utility icon to install the EpsonNet Configuration utility (located in the EpsonNet folder under Applications).
7. When you're done, close the installer and eject the CD. Restart the Macintosh if prompted.

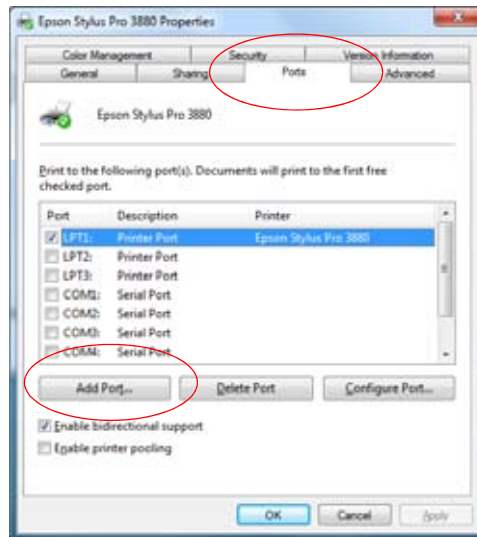
See “Adding the Network Port” below to create a network port for your printer.

Adding the Network Port

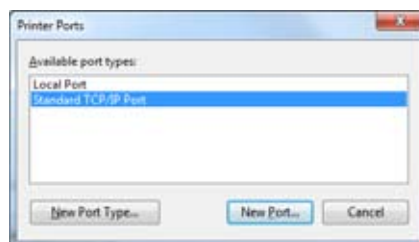
After installing the printer software on your computer, you need to add the network port. See the appropriate section below for your operating system.

Windows

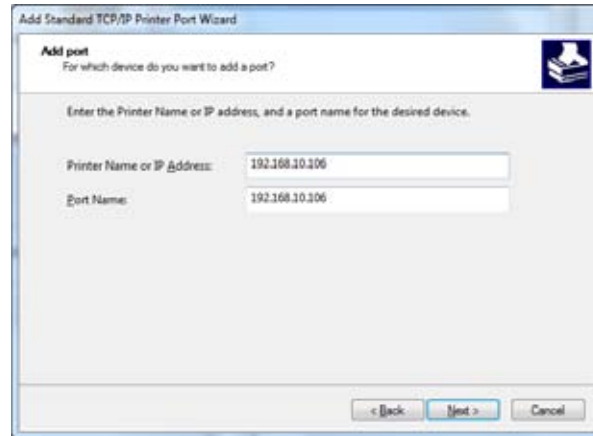
1. Click Start or , click Control Panel, and then double-click View Devices and Printers (Windows 7), Printer or Printers (Windows Vista), or Printers and Faxes (Windows XP).
2. Right-click the Epson Stylus Pro 3880 and select Printer Properties or Properties.
3. Click the Ports tab, then click Add Port.



4. Select Standard TCP/IP Port, then click the New Port button.



5. When the printer port wizard opens, click Next.
6. Enter the printer's IP address, shown on the network status sheet, in the Printer Name or IP Address text box. Then click Next.



7. On the next screen, click Finish.

You can now use the printer on your network.

Mac OS X

See the section below for your printing method.

TCP/IP Printing (recommended)

1. Open System Preferences.
2. Open Print & Scan or Print & Fax.
3. Click the + button to add a new printer.
4. Select the EPSON TCP/IP printer model. (If you don't see it listed, click More Printers and select EPSON TCP/IP from the drop down list.)
5. Click Add.

You can now use the printer on your network.

Bonjour Printing

1. Open System Preferences.
2. Open Print & Scan or Print & Fax.
3. Click the + button to add a new printer.
4. Select the printer model that is connected with Bonjour.
5. Click Add.

You can now use the printer on your network.

Chapter 2: Handling Paper and Other Media

The Epson Stylus Pro 3880 prints on a variety of cut-sheet media up to 17 inches wide. You can also use heavy stock, such as posterboard, up to 59 mil (1.5 mm) thick.

This chapter includes the following information:

- Selecting media for your printer
- Choosing the correct paper path
- Loading paper in the auto sheet feeder
- Loading paper in the rear manual slot
- Loading paper in the front manual slot
- Adjusting the platen gap
- Creating special paper configurations

Selecting Media for Your Printer

You can print on most types of coated, glossy, and plain paper. The following table shows the Epson paper types and sizes you can use in your printer. You can also check the Epson Pro Imaging website (www.proimaging.epson.com) or your authorized Epson dealer for available media.

Paper type	Size	Number of sheets	Part number
Plain			
Epson Bright White Paper	8.5 × 11 inches	500	S041586
Photo			
Epson Premium Photo Paper Luster	8.5 × 11 inches	50	S041405
		250	S041913
	11.7 × 16.5 inches	50	S041406
	13 × 19 inches	50	S041407
		100	S041604
17 × 22 inches	25	S042084	

26 | Handling Paper and Other Media

Paper type	Size	Number of sheets	Part number
Epson Ultra Premium Photo Paper Luster	8.5 × 11 inches	50	S041405
	11.7 × 16.5 inches	50	S041406
	13 × 19 inches	50	S041407
		100	S041604
	17 × 22 inches	25	S042084
Epson Premium Photo Paper Glossy	4 × 6 inches	100	S041727
	5 × 7 inches	20	S041464
	8 × 10 inches	20	S041465
	8.5 × 11 inches	25	S042183
		50	S041667
	11 × 14 inches	20	S041466
	11 × 17 inches	20	S041290
	11.7 × 16.5 inches	20	S041288
	13 × 19 inches	20	S041289
	17 × 22 inches	25	S042092
Epson Premium Photo Paper Semi-gloss	4 × 6 inches	40	S041982
	8.5 × 11 inches	20	S041331
	13 × 19 inches	20	S041327
	17 × 22 inches	25	S042124
Fine Art			
Epson Velvet Fine Art Paper	8.5 × 11 inches	20	S041636
	13 × 19 inches	20	S041637
	17 × 22 inches	25	S042097
Epson UltraSmooth® Fine Art Paper	13 × 19 inches	25	S041896
	17 × 22 inches	25	S041897
Epson Watercolor Paper - Radiant White	13 × 19 inches	20	S041351
Proofing			
Epson Proofing Paper White Semimatte	13 × 19 inches	100	S041744
Epson Standard Proofing Paper (240)	13 × 19 inches	100	S045115
Epson Standard Proofing Paper SWOP 3	13 × 19 inches	100	S045157

Paper type	Size	Number of sheets	Part number
Matte			
Epson Ultra Premium Presentation Paper Matte	8.5 × 11 inches	50	S041341
	11.7 × 16.5 inches	50	S041343
	13 × 19 inches	50	S041339
		100	S041605
	17 × 22 inches	100	S041908
Epson Premium Presentation Paper Matte	8 × 10 inches	50	S041467
	8.5 × 11 inches	50	S041257
	11 × 14 inches	50	S041468
	11.7 × 16.5 inches	50	S041260
	13 × 19 inches	50	S041263
Epson Presentation Paper Matte	8.5 × 11 inches	100	S041062
	8.5 × 14 inches	100	S041067
	11 × 17 inches	100	S041070
	13 × 19 inches	100	S041069
	16.5 × 23.4 inches	30	S041079
	17 × 22 inches	100	S041171
Others			
Epson Singleweight Matte Paper	13 × 19 inches	100	S041747
	17 × 22 inches	100	S041907
Epson Exhibition Fiber Paper	8.5 × 11 inches	25	S045033
	13 × 19 inches	25	S045037
	17 × 22 inches	25	S045039
Epson Exhibition Canvas Matte	17 × 22 inches	25	TBD
Epson Premium Canvas Matte	17 × 22 inches	25	S045078
Epson Cold Press Bright	8.5 × 11 inches	25	S042307
	13 × 19 inches	25	S042310
	17 × 22 inches	25	S042311

Paper type	Size	Number of sheets	Part number
Epson Cold Press Natural	8.5 × 11 inches	25	S042297
	13 × 19 inches	25	S042300
	17 × 22 inches	25	S042301
Epson Hot Press Bright	8.5 × 11 inches	25	S042327
	13 × 19 inches	25	S042330
	17 × 22 inches	25	S042331
Epson Hot Press Natural	8.5 × 11 inches	25	S042317
	13 × 19 inches	25	S042320
	17 × 22 inches	25	S042321

Always test samples of paper stock in the printer before purchasing large quantities or printing large jobs. When you use non-Epson paper or other media, you may need to adjust various settings or create special paper configurations. (See page 43 for more information.)

Guidelines for Using Epson Media

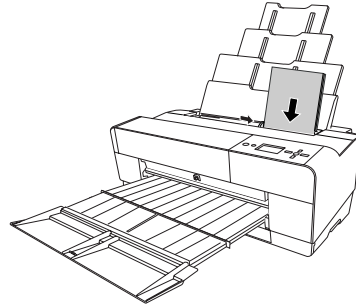
Follow these guidelines, as well as those included in your paper package, when printing on Epson paper and other media:

- Avoid touching the printable surface with your bare hands. Fingerprints may affect print quality. Handle media by the edges or use cotton gloves.
- Always choose the correct Media Type setting in your printer driver software before you send your job. See page 63 (Macintosh) or page 67 (Windows) for instructions.
- Always select the correct paper source in both the printer driver software and on the printer's control panel. See page 52 (Macintosh) or page 71 (Windows) for instructions on selecting the paper source in your printer software.
- Keep unused media in its original packaging and store it flat in a cool, dry place to maintain quality. Avoid storing your printouts where they will be exposed to high temperature, humidity, or direct sunlight.

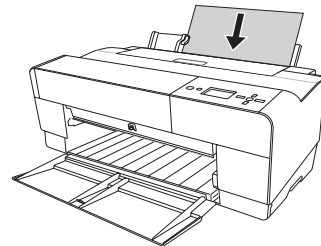
Choosing the Correct Paper Path

The printer provides three paths for loading media:

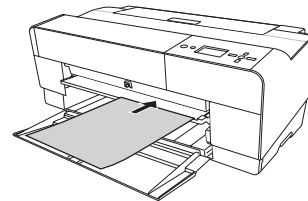
- Auto sheet feeder (multiple sheets)



- Rear manual feed slot (one sheet only)



- Front manual feed slot (one sheet only)



It's very important to use the correct paper path and to load the correct number of sheets. For example, you can load only one sheet at a time in the front and rear slots, and poster board can be inserted only in the front slot. If you need to make sure the paper stays flat, use the rear manual slot or the front slot.

The following table shows which path to choose for the type of media you are using and the maximum number of sheets you can load for the different types of special Epson media. The letter A stands for the auto sheet feeder and R stands for the rear manual feed slot. Use the front manual feed slot when you need to print on thick media, such as posterboard.

Paper type	Paper path	Size	Auto sheet feeder loading capacity *
Plain paper and Epson Bright White Paper	A	8.5 × 11 inches	120
Epson Presentation Paper Matte	A, R	8.5 × 11 inches	60
		8.5 × 14 inches	50
		11 × 17 inches	20
		13 × 19 inches	20
		16.5 × 23.4 inches	20
		17 × 22 inches	20
Epson Premium Photo Paper Glossy	A	4 × 6 inches	20
		5 × 7 inches	20
		8 × 10 inches	20
	A, R	8.5 × 11 inches	20
		11 × 14 inches	10
		11 × 17 inches	10
		11.7 × 16.5 inches	10
		13 × 19 inches	10
		17 × 22 inches	10
Epson Ultra Premium Photo Paper Luster	A, R	8.5 × 11 inches	20
		11.7 × 16.5 inches	10
		13 × 19 inches	10
		17 × 22 inches	10
Epson Premium Photo Paper Luster	A, R	8.5" × 11"	20
		11.7" × 16.5"	10
		13" × 19"	10
		17" × 22"	10

Paper type	Paper path	Size	Auto sheet feeder loading capacity *
Epson Premium Photo Paper Semi-gloss	A	4 × 6 inches	20
	A, R	8.5 × 11 inches	20
		13 × 19 inches	10
		17 × 22 inches	10
Epson Ultra Premium Presentation Paper Matte	A, R	8.5 × 11 inches	20
		11.7 × 16.5 inches	20
		13 × 19 inches	10
		17 × 22 inches	10
Epson Premium Presentation Paper Matte	A, R	8 × 10 inches	30
		8.5 × 11 inches	30
		11 × 14 inches	10
		11.7 × 16.5 inches	10
		13 × 19 inches	10
Epson Proofing Paper White Semimatte	A, R	13 × 19 inches	1
Epson Standard Proofing Paper (240)	A, R	13 × 19 inches	1
Epson Standard Proofing Paper SWOP 3	A, R	13 × 19 inches	1
Epson Singleweight Matte Paper	A, R	13 × 19 inches	50
	A, R	17 × 22 inches	10
Epson Watercolor Paper - Radiant White	R	13 × 19 inches	1
Epson Velvet Fine Art Paper	R	8.5 × 11 inches	1
		13 × 19 inches	1
		17 × 22 inches	1
Epson UltraSmooth Fine Art Paper	R	13 × 19 inches	1
		17 × 22 inches	1
Epson Exhibition Fiber Paper	R	8.5 × 11 inches	1
		13 × 19 inches	1
		17 × 22 inches	1
Epson Exhibition Canvas Matte	R	17 × 22 inches	1
Epson Premium Canvas Matte	R	17 × 22 inches	1

32 | Handling Paper and Other Media

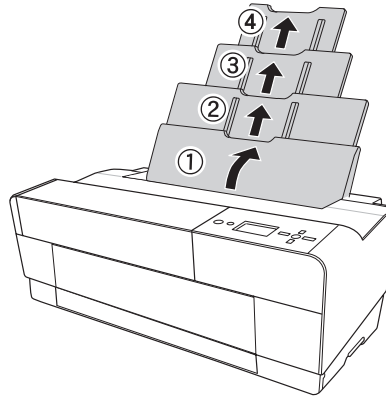
Paper type	Paper path	Size	Auto sheet feeder loading capacity *
Epson Cold Press Bright	R	8.5 × 11 inches	1
		13 × 19 inches	1
		17 × 22 inches	1
Epson Cold Press Natural	R	8.5 × 11 inches	1
		13 × 19 inches	1
		17 × 22 inches	1
Epson Hot Press Bright	R	8.5 × 11 inches	1
		13 × 19 inches	1
		17 × 22 inches	1
Epson Hot Press Natural	R	8.5 × 11 inches	1
		13 × 19 inches	1
		17 × 22 inches	1

* Always load only 1 sheet at a time in the front or rear slot.

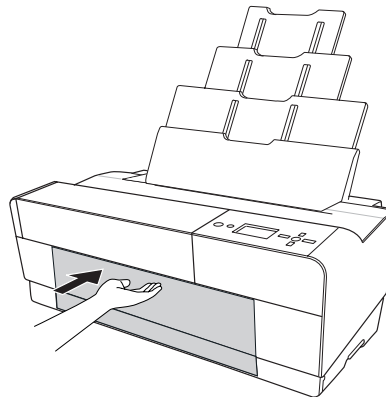
Loading Paper in the Auto Sheet Feeder

Using the auto sheet feeder, you can load up to 120 sheets of plain paper or varying amounts of special media types. Refer to the table starting on page 30 to see how many sheets you can load for your paper type. Then follow these steps:

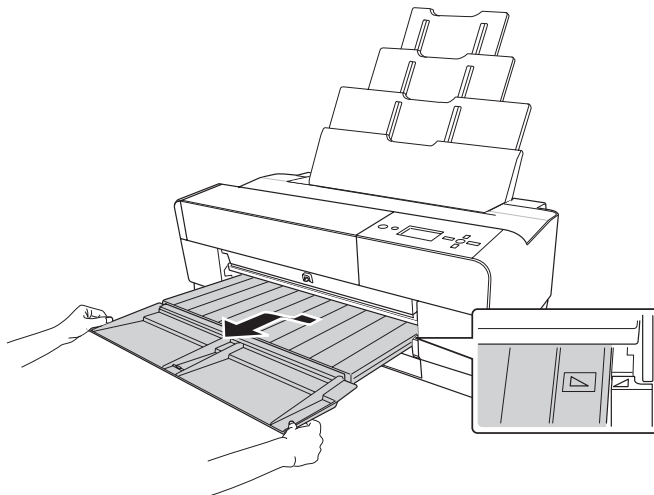
1. Make sure the printer is turned on and READY appears on the LCD.
2. Flip up the paper guide and pull out as many of its extensions as you need to support your paper size.



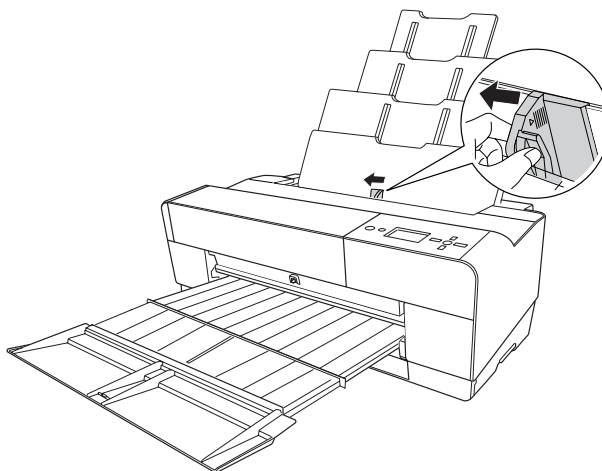
3. Press the front cover to release it and open the output tray.



4. Use both hands to pull out and extend the output tray, lifting it slightly as you pull. Make sure the arrow marks on the tray and the printer are aligned.



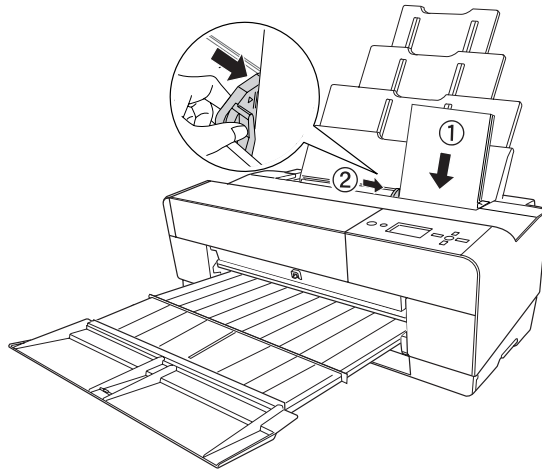
5. Pull out the output tray extensions to accommodate your paper size.
6. Squeeze the left edge guide and slide it to the left so that it is slightly wider than the width of your paper.



7. If you are loading multiple sheets, thumb through the stack of paper, then gently tap it on a flat surface to even the edges.

If the paper is curled, flatten it before you load it. If it curls excessively and jams frequently, see page 129 for solutions.

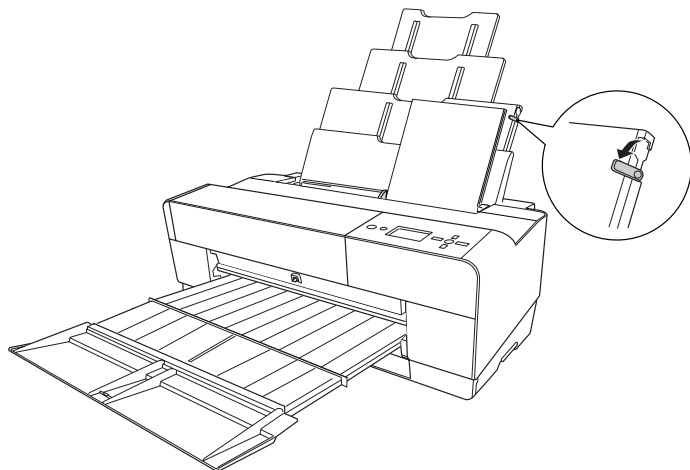
8. Load the paper against the right edge, face-up and short edge first. Insert it until it meets resistance. Slide the edge guide against the left side of the paper.



Caution: Do not leave paper in the printer for a long period of time; its quality will deteriorate. Epson recommends that you remove the paper from the printer after printing.

You're ready to print.

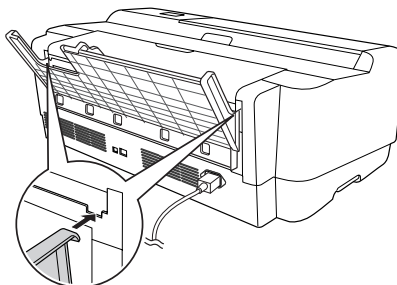
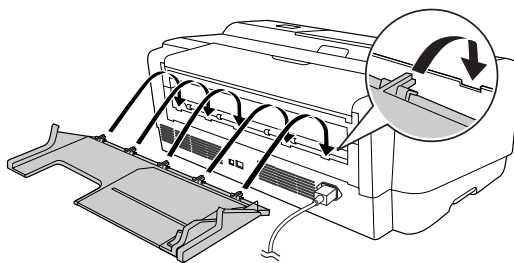
If the paper skews when you're printing on large sheets, flip out the edge guide located on the right side of the auto sheet feeder to help the paper feed straight.



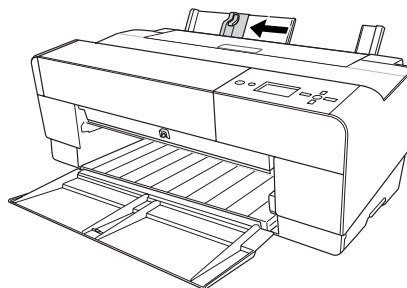
Loading Paper Into the Rear Manual Feed Slot

Use the rear manual slot to load special media one sheet at a time. (See the table on page 30 for a list of papers you can load in the rear slot.)

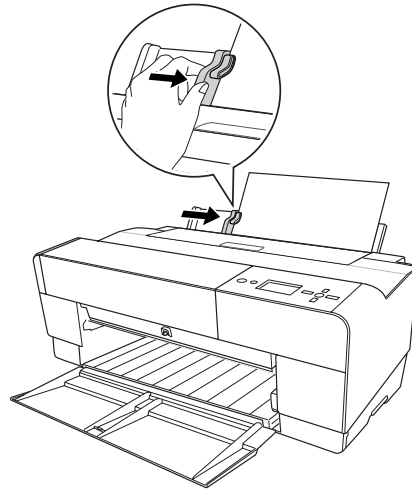
1. Make sure the printer is on and READY appears on the LCD.
2. Attach the rear sheet guide to the back of the printer.



3. Slide the edge guide to the left so it is slightly wider than the width of your paper.

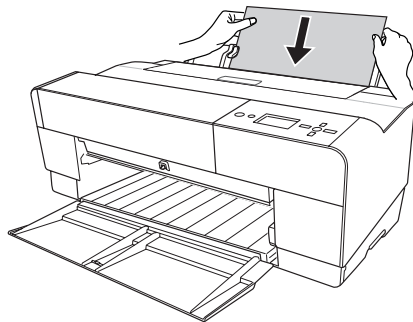


4. Insert one sheet face-up and short edge first into the rear sheet guide against the right edge guide.
5. Slide the edge guide against the left edge of the paper.



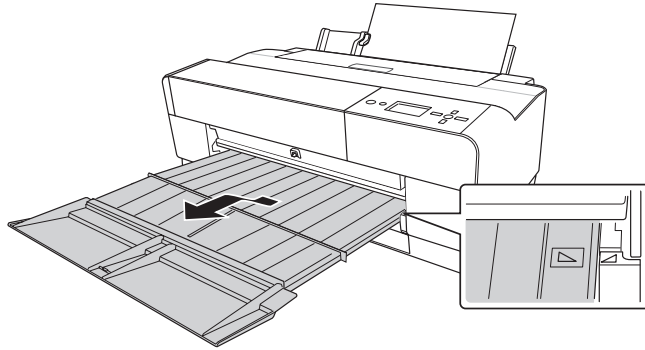
6. Gently guide the paper into the slot until it meets resistance. Maintain a constant pressure; after a few seconds you'll feel the printer pull the paper into printing position.

Note: If you want to remove the paper, press the ▼ Paper feed button on the control panel to back the sheet out.



7. Use both hands to pull out and extend the output tray, lifting it slightly as you pull. Make sure the arrow marks on the tray and the printer are aligned.

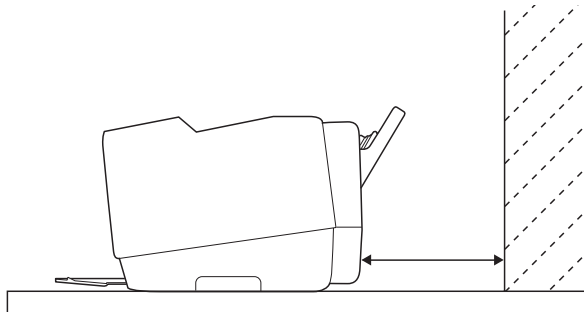
Caution: Do not leave paper in the printer for a long period of time; its quality will deteriorate. Epson recommends that you remove the paper from the printer after printing.



You're ready to print.

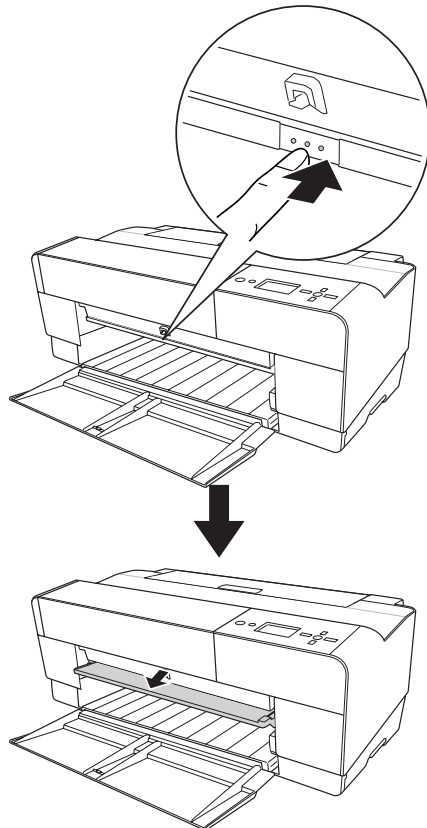
Loading Paper Into the Front Manual Feed Slot

Use the front manual feed slot when you need to print on thick media (1.2 to 1.5 mm), such as posterboard. Make sure there is enough space behind the back of the printer for the paper to feed without obstruction.

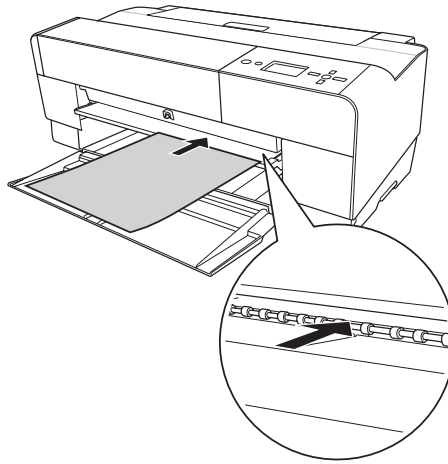


Also keep the following in mind when using the front slot:

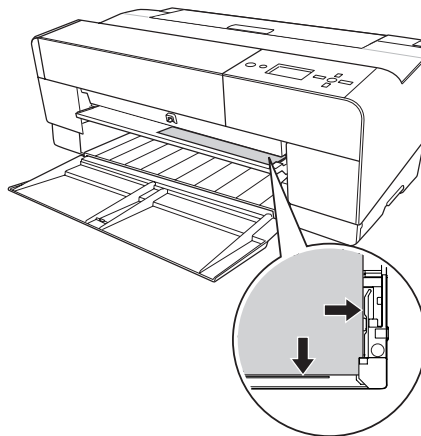
- Load only one sheet at a time and make sure the printable side is face-up.
 - If the paper is wider than 16 inches, use the auto sheet feeder or rear slot if allowed for your paper type; see page 29 for details.
 - If PAPER SIZE CHECK is set to OFF on the LCD, you cannot load paper in the front manual feed slot. Use the printer's menu system to turn this setting on.
1. Make sure the printer is on and READY appears on the LCD.
 2. Press the front cover to release it and open the output tray.
 3. Press the front tray as shown to pop it out.



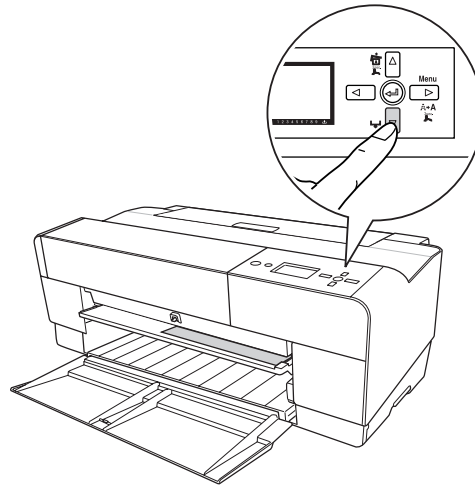
4. Insert a single sheet of paper, short edge first and face-up into the front tray.



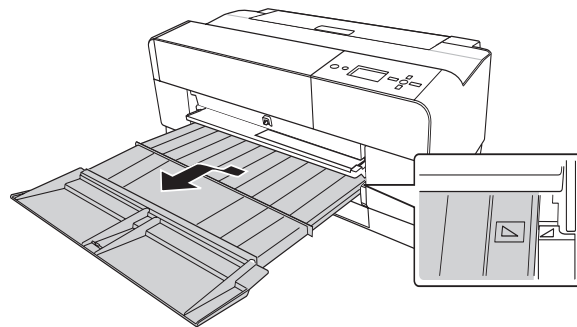
5. Position the right edge of the paper against the right side of the tray and align the paper's bottom edge with the white line on the tray.



6. Press the ▼ button to feed the paper into printing position.



7. Use both hands to pull out and extend the output tray, lifting it slightly as you pull.



Caution: Do not leave paper in the printer for a long period of time; its quality will deteriorate. Epson recommends that you remove the paper from the printer after printing.

You're ready to print.

When you finish printing, push the front tray back in.

Adjusting the Platen Gap for Thick or Thin Paper

When you print on unusually thick or thin paper, you may need to adjust the platen gap setting. Normally, the STANDARD setting allows the printer to adjust automatically. However, if print quality is not satisfactory when using very thin or very thick stock, you may need to change this setting using the printer's menu system.

1. Press the Menu ► button.
2. Press ► to select the Printer Setup menu.
3. Press ► to select PLATEN GAP. An asterisk appears next to the current setting, STANDARD.
4. Press ▲ or ▼ to select NARROW, WIDE, WIDER, or WIDEST.
5. Press the ↵ Enter button to save the setting. An asterisk appears next to the selected setting.
6. Press the ⏏ Cancel/Reset button to exit the menu.

Caution: To avoid damaging the printer, do not select the **Narrow** setting when you print on heavy media.

When you switch media again, don't forget to change the setting back to STANDARD.

If you're printing on non-Epson media, you may also need to create a paper configuration to optimize your results. See the next section for more information.

Using Special Paper Configurations

When you choose a media type in your Epson printer software, the driver automatically determines the best settings for your paper. However, you may want to fine-tune how the printer handles certain media—especially if you use non-Epson paper or a paper not supported by the driver. For these situations, you can create a special configuration, or group of settings, for each paper type (up to ten types) and select the desired configuration whenever you print on that particular stock.

Tip: It's a good idea to keep a list describing your paper configurations.

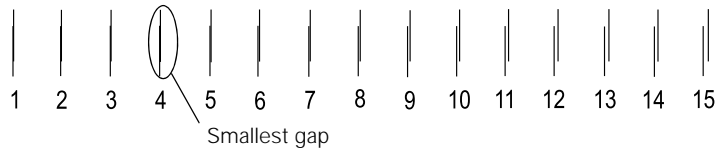
Creating a Paper Configuration

To create a configuration for a specific paper type, make sure the paper you want to configure is loaded in the printer. Then follow these steps:

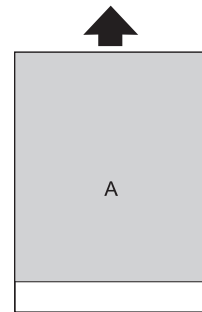
1. Press the Menu ► button, then press ▼ until CUSTOM PAPER is highlighted.
2. Press ► to display the PAPER NUMBER menu.
3. Press ▲ or ▼ to select a paper configuration number (1 to 10). Press ↵ Enter to save the setting.
4. Press ► and then ▲ or ▼ to select MATTE THICK, MATTE THIN, PHOTO PAPER, or FINE ART PAPER.
5. Press ↵ Enter to save the setting. An asterisk appears next to the selected paper type.
6. Press ◀ and then ▼ to select PLATEN GAP, then press ►.
7. Press ▲ or ▼ to select NARROW, STANDARD, WIDE, or WIDER. (The STANDARD setting is recommended for most paper types.) Then press ↵ Enter to save the setting. An asterisk appears next to the selected platen gap setting.
8. Press ◀ and then ▼ to select THICKNESS PATTERN.

Note: If you're using Epson special media, select STANDARD for the platen gap to let the printer automatically determine the paper thickness.

9. Make sure the paper you are creating the configuration for is loaded in the correct paper path in the printer. Then press ► and ↵ Enter to print a paper thickness pattern. The printer prints a pattern similar to the following:

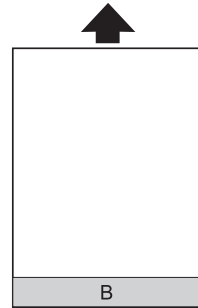


10. Examine the printed pattern for the most evenly overlapping lines, and choose that pattern number. (In the example shown above, the lines of pattern 4 are the most even.)
11. After printing the pattern, THICKNESS NUMBER is displayed. Press ▼ or ▲ to select the number that you noted in step 10. Then press ↵ Enter to save the setting.
12. Press ◀ and then ▼ to select PAPER FEED ADJUST A, then press ►. Adjusting this setting and the PAPER FEED ADJUST B can help eliminate banding.
13. Press ▲ or ▼ to set the paper feed amount for the printable area (labelled A in the illustration to the right), and then press ↵ Enter. Choose a lower value if you see white lines on your prints, or a higher value if you see dark lines.



14. Press ◀ and then ▼ to select PAPER FEED ADJUST B, then press ►.

15. Press ▼ or ▲ to set the paper feed amount for the bottom margin area that is 0.79 or 1.18 inches (2 or 3 cm) from the bottom of the paper (labelled B in the illustration to the right). Then press ↵ Enter.



16. Press ◀ and then ▼ to select DRYING TIME, then press ▶.
17. Press ▼ or ▲ to select the number of seconds (from 1 to 10) that you want the print head to wait between passes to allow the ink to dry. Then press ↵ Enter to save the setting.
18. When you are finished, press ⏹ Cancel/Reset to exit the Menu.

You can also make similar settings using the printer driver software. For instructions, see page 55 (Macintosh) or page 74 (Windows).

Selecting a Paper Configuration

Once you have created a paper configuration, follow these steps to select it when you are ready to print on that type of paper:

1. Press the Menu ▶ button, then press ▼ until CUSTOM PAPER is highlighted.
2. Press ▼ to display PAPER NUMBER, then press ▶.
3. Press ▼ or ▲ to select the configuration number that you want to use. If you select STANDARD, the printer uses the driver settings. If you select a number from 1 to 10, the control panel settings override the driver settings.
4. Press ↵ Enter. The configuration number you selected is displayed on the LCD.
5. Press ⏹ Cancel/Reset to exit the menu.

Chapter 3: Printing with Epson Drivers for Macintosh

Your Epson Stylus Pro 3880 comes with drivers and utilities that let you print and manage print jobs. For the best black-and-white photography output, the Epson Stylus Pro 3880 driver offers Advanced Black and White mode.

ICC profiles for ColorSync® are included, so you can use color management features in Adobe® Photoshop® or other applications, or in the driver itself. A color-managed workflow using Photoshop and a color-calibrated monitor will give you the most accurate colors and best output from your printer for color photos.

You can create your own profiles if you have the required hardware and software, or you can have them created by a color specialist. Make sure any profiles you want to use are located in the correct folder for your operating system. When you install the Epson printer driver, the included profiles are automatically copied to the correct folder.

Before you print, make sure you have installed the Epson printer driver and utilities from the printer software CD-ROM. For instructions on installing and configuring the printer driver, see the *Start Here* sheet.

Tip: Check the Epson Pro Imaging website at www.proimaging.epson.com for updated drivers and utilities that may become available.

This chapter includes the following information for Macintosh:

- Choosing page setup settings
- Choosing basic print settings
- Choosing advanced print settings, including color management, paper configuration settings, and expansion settings
- Creating a custom preset and printing
- Choosing Advanced Black and White mode settings
- Managing print jobs
- Checking the printer status

Printing With Mac OS X

If you're using Mac OS X 10.5.8 or higher, follow the instructions below.

Choosing Page Setup and Basic Print Options

Note: Many application settings override the printer's page setup options. Always verify settings to get the results you expect.

If your application has margin settings, make sure they're turned off for borderless printing.

Note: You may need to select a print icon on your screen, The **Print** option in the File menu, or another command.

If you need more information about print options, click the ? button.

You can choose from several options for printing. You can also select the orientation of your image and the paper size.

Once you have selected your page setup options, you need to select printing options. The Epson driver offers automatic settings that optimize print quality and speed when you're using Epson media. You can also choose additional settings for more control over your printer and color output.

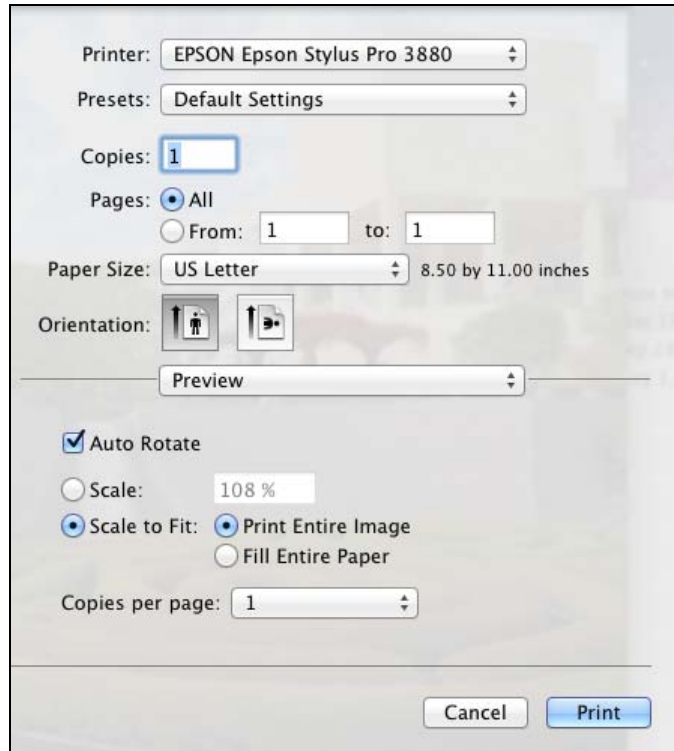
1. Open the file you want to print.
2. Select the print command in your application.
3. Select your product as the Printer setting.



4. If necessary, click the arrow next to the Printer setting or the Show Details button to expand the print window.

You see the expanded printer settings window for your product:

Note: The print window may look different, depending on the version of Mac OS X and the application you are using.



5. Select the Copies and Pages settings as necessary.

Note: If you don't see the Paper Size setting in the Print window, check for it in your application before printing. It may be accessible by selecting **Page Setup** from the File menu.

6. Click the Paper Size drop-down menu and choose the size of the paper you are using and one of the options listed below.



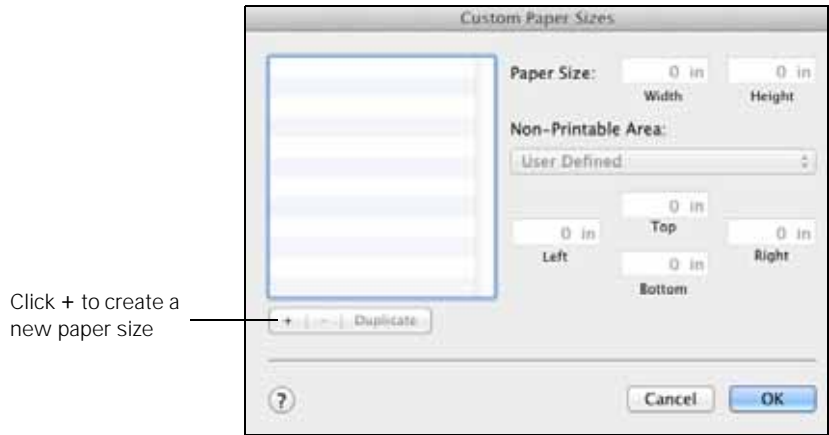
Select the paper size, then choose the setting

The following settings are available, depending on the size you choose:

- Borderless (Auto Expand) prints on cut sheets and enlarges your image (up to 3%) to fit the width of the paper (without side borders).
- Borderless (Retain Size) prints your image at the size you specify in your application. You need to size it slightly wider than the paper width to print without side borders.
- Manual - Rear prints with 0.12 in. (3.0 mm) margins all around.
- Manual - Front prints with 0.12 in. (3.0 mm) left and right margins and 0.79 in. (20 mm) top and bottom margins.

If your paper size is not listed, select **Manage Custom Sizes** to create a custom paper size.

You see a window like this one:

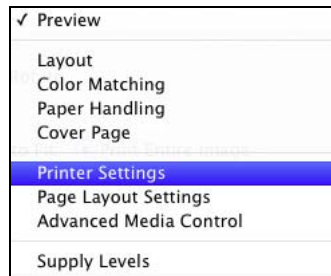


Click + to create a new paper size

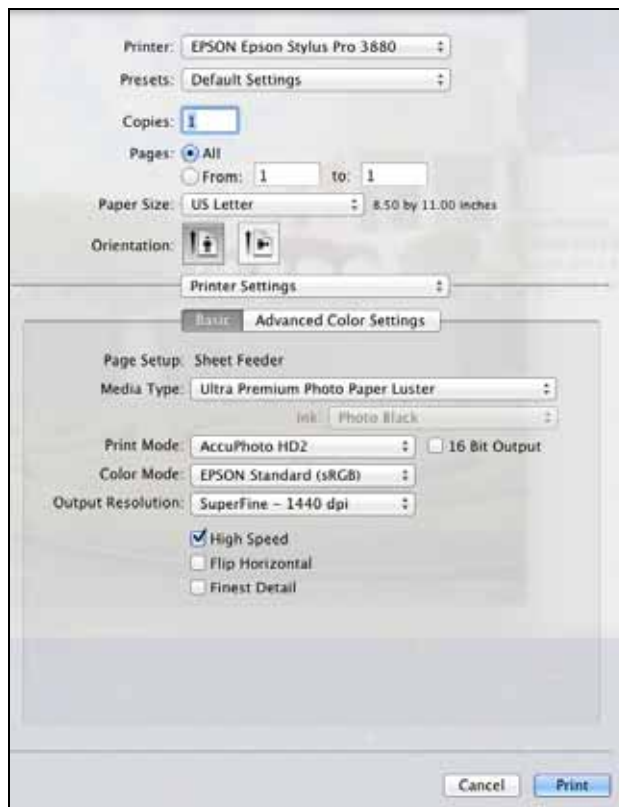
Click +, double-click Untitled, give your paper size a name, and define its size and margins. Then click OK, and select the newly created paper size from the Paper Size pop-up menu.

Note: If you don't see the Orientation or Scale settings in the Print window, check for them in your application before printing. They may be accessible by selecting **Page Setup** from the File menu.

7. Choose the appropriate Orientation and Scale for printing.
8. Select Print Settings or Printer Settings from the drop-down menu.



You see this screen:



Note: The setting may not exactly match the name of your paper. Check the paper type settings list for details.

9. Select the Media Type that corresponds to the paper you are printing on. See the table on page 63 for more information.
10. For the Print Mode setting, select one of the following:
 - AccuPhoto HD2 for any type of photographic printing. If you are printing 16-bit color images, select 16 Bit Output for the most accurate transitions and gradations.
 - Advanced B&W Photo if you are printing black and white photos using this unique printer technology on select paper types. See page 47 for more information. (For paper types that don't support this option, print black and white photos with the Color setting.)
 - Black only if you're printing line drawings or other non-photographic images.

11. Set the Color Mode option as follows:

- Select (Off) No Color Adjustment to disable color management in the printer driver. Choose this mode when you use a color-managed ICC workflow in Photoshop or another software application.
- Select Color Controls, then choose one of the following mode settings:

EPSON Standard (sRGB) increases the contrast in images. Use this setting for color photographs.

Adobe RGB matches image colors to the Adobe RGB color standard. Use this setting if your source file was captured in Adobe RGB.

12. Choose one of the following Output Resolution settings:

- Draft - 180 dpi
- Draft - 360 dpi
- Fine - 720 dpi
- SuperFine - 1440 dpi
- SuperPhoto - 2880 dpi

13. Choose any of the following advanced options:

- High Speed for fast, bidirectional printing. For higher quality, make sure you deselect this option.
- Flip Horizontal for printing a mirror image of your file.
- Finest Detail for sharper edges on vector-based data including text, graphics, and line art. (This setting does not affect photographs and is not recommended for large files.)

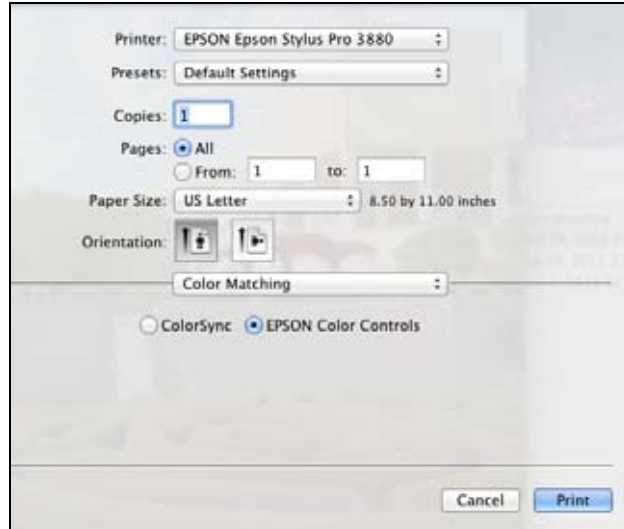
Continue with the instructions on page 54 to select color management settings. If you are using the color management settings in Photoshop or another application, it is very important to turn off color management in the printer driver.

Note: The Print Quality settings available depend on the Media Type you selected. Choose a lower print quality setting for faster printing or SuperFine - 2880 dpi for the best quality.

Choosing Color Management Options

Follow these instructions to use color management in the printer driver.

1. Select Color Matching from the drop-down menu. You see this screen:



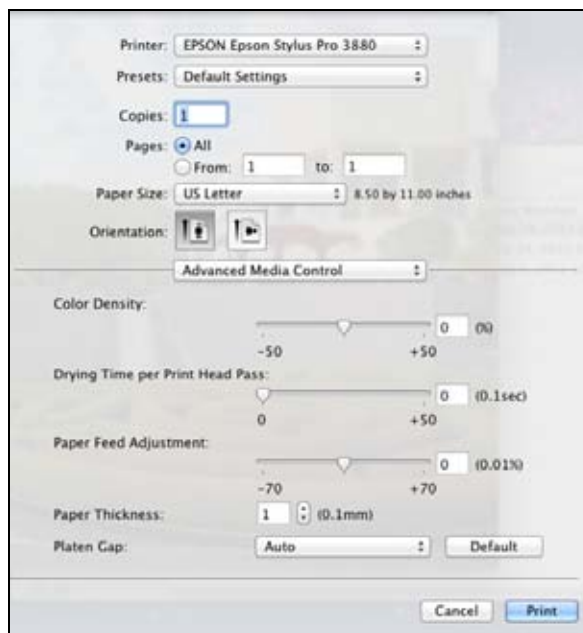
2. Select one of the following settings:
 - EPSON Color Controls to use a Color Mode (see page 53) that selects the main method of printing colors for photos and graphics.
 - ColorSync for mapping colors to your printer's profile (for ColorSync-compatible applications only). Leave the Profile setting set to Automatic. This allows the printer software to select the profile that matches the Media Type setting you selected.

Choosing Advanced Media Control Options

Follow these instructions if you are using non-Epson media and you need to fine-tune its performance.

Note: You may need to change the Color Density setting if your custom color profile was created to optimize D-max and color gamut.

1. Select Advanced Media Control from the drop-down menu. You see this screen:

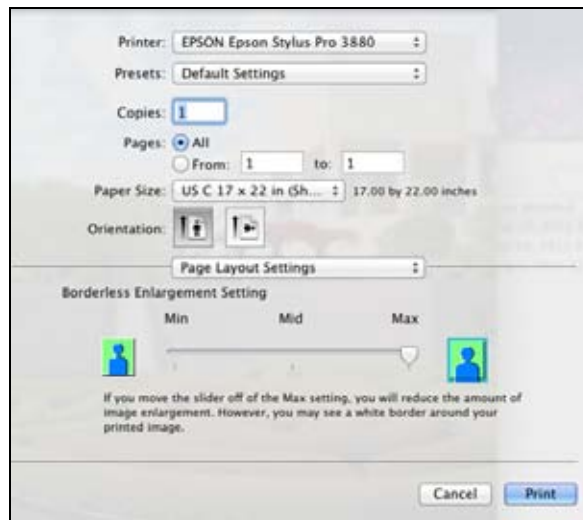


2. Select the correct settings to match your ICC profile. These settings override any paper configuration settings you may have made using the printer's control panel.
 - Color Density lets you control the ink saturation level.
 - Drying Time per Print Head Pass lets you print with non-Epson media and avoid smearing the ink. You can make the print head wait up to 5 seconds after each pass to allow ink to dry on the page.
 - Paper Feed Adjustment helps reduce banding. Choose a lower value if you see white lines on your prints, or a higher value if you see dark lines.
 - Paper Thickness helps reduce vertical banding and creates a sharper image when printing on unusually thick or thin paper.

- Platen Gap lets you fine-tune the setting for various paper thicknesses.

Controlling Borderless Image Expansion

To control the amount of expansion when printing using a Paper Size with the Auto Expand option, select Page Layout Settings from the drop-down menu. You see this screen:



If necessary, adjust the Expansion slider to choose the Min, Mid, or Max setting.

The Min setting retains the entire image in your print, but there may be a small white border on the edges of the print. Max expands the image to ensure that there are no unprinted edges, but the edges of the image may be cropped.

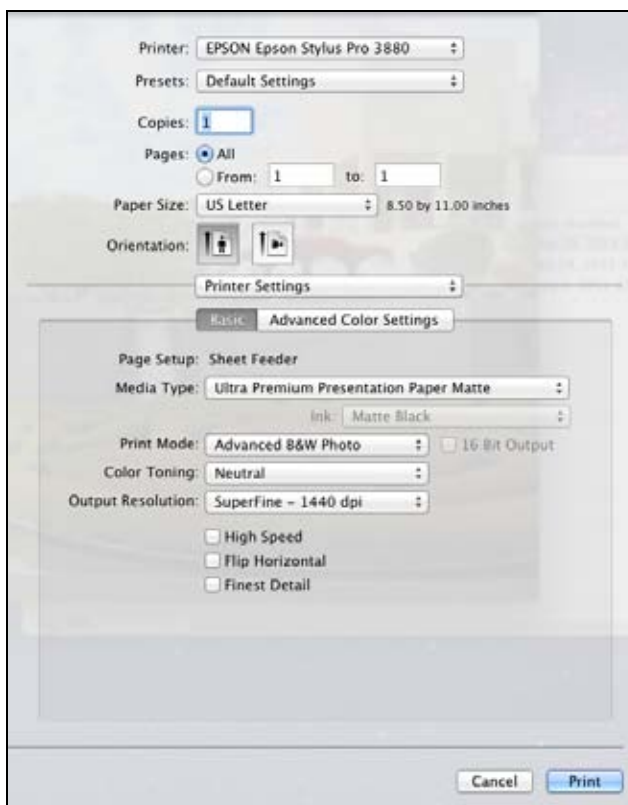
Choosing Advanced Black and White Photo Settings

Note: If you are printing from Photoshop, make sure you do not use Photoshop's color management settings when using Advanced Black and White Photo mode. There are no profiles associated with this screening and color management technology.

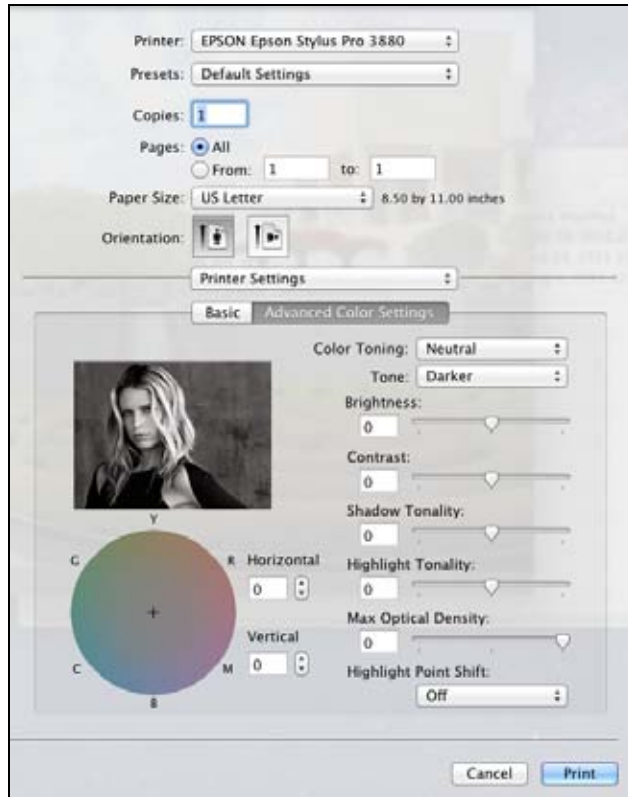
Advanced Black and White Photo mode allows you to easily produce neutral and toned black-and-white prints using your Epson driver. This mode offers an alternative black and white workflow with settings for more advanced control.

Whether your photo is color or grayscale, you can use this unique screening and color management technology to create stunning black-and-white prints. This mode is only available when printing on certain media types.

1. Select Print Settings or Printer Settings from the drop-down menu.
2. Choose the Media Type setting for the paper you have loaded in the printer. (See page 63 for instructions.)
3. Choose Advanced B&W Photo as the Print Mode setting.



4. Uncheck High Speed for the best quality.
5. Click Advanced Color Settings. You see this screen:



6. Choose the settings that are best for your photo.
 - Color Toning allows you to add tone (hue) to your black and white output. The default is Neutral, which will provide you with a neutral tonal scale print. You can also choose other popular presets such as Cool, Warm, and Sepia. Note that the presets affect the target found in the tone color circle.
 - Tone allows you to easily change the entire tonal scale of your black and white output. While Darker is the default setting, you may see better results if you choose Dark.
 - Brightness adjusts the overall lightness and darkness of your image.

- Contrast adjusts the difference between the light and dark areas of your image.
- Shadow Tonality and Highlight Tonality allow you to control tonality only in the shadow or highlight areas of your image.
- Max Optical Density adjusts the overall density or focus of the print. Create a soft focus print by setting the density lower.
- Highlight Point Shift helps to reduce gloss differential by adding density to the highlights of your image.
- The tone color circle adjusts the hue of your black and white print. Click on any portion of the color wheel or enter corresponding values to customize the tone (hue) added to your print. The closer you select to the edge of the wheel, the more color you add.

The preview image approximates the image tone based on your settings. Note that this preview always shows the same image and is not color managed. It provides a level of feedback as you make changes.

Creating a Custom Preset and Printing

Once you've made the correct settings for your print job, create a custom preset. This will save you time when you use the same profile/printer/ink/media combination for future print jobs.

Note: If you check the settings on each screen in the drop-down menu, go through them carefully from top to bottom. Avoid cycling through them repeatedly, or you may lose your settings.

1. After verifying that your settings are correct, select Save Current Settings as Preset from the Presets drop-down menu.



2. Type a name for your custom preset and click OK.
3. When you're ready to print, click the Print button.

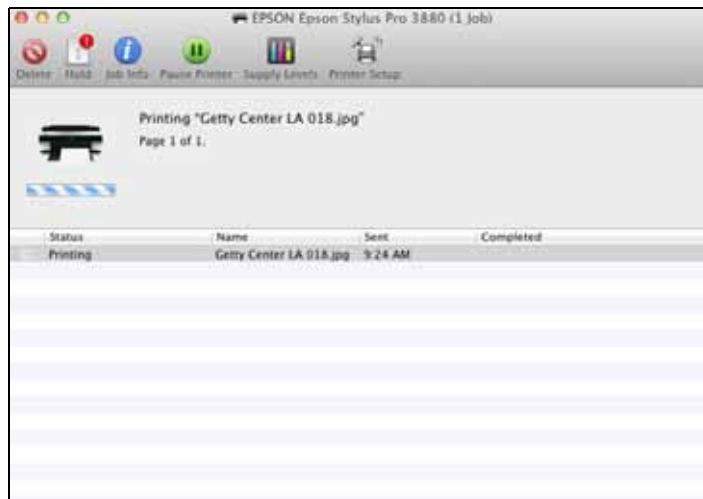
Caution: Do not open and close the Presets menu without typing a name, or you will lose your settings.

Whenever you want to print with your custom preset, select it from the Presets drop-down menu.

Managing Print Jobs

After you click Print, you can monitor the progress of your print job. Follow these steps:

1. Click the icon for your printer on the Dock. If necessary, double-click your printer (and print queue) name. You see a screen like this:



Note: If it is no longer spooling in the computer, you can also cancel a print job by pressing the

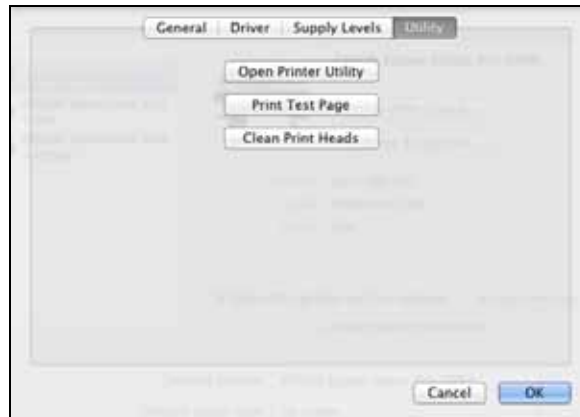
⏸ button on the printer, selecting **JOB CANCEL**, and pressing the **OK** button.

2. From here you can monitor the progress of your print job or do one of the following:
 - Click the print job, then click Delete to cancel the job
 - Click the print job, then click Hold to pause printing
 - Click a print job marked “Hold” and click Resume to resume printing
3. When you’re finished, close the print job window, then close your printer window.

Checking Ink and Maintenance Status

EPSON Printer Utility4 lets you check the status of ink in the printer and maintenance cartridge. (You can also run maintenance utilities from this screen. See pages 90 to 94 for instructions.)

1. In the Apple menu or the Dock, select System Preferences.
2. Select Print & Fax or Print & Scan, select your product, and select Options & Supplies.
3. Select Utility.



4. Select Open Printer Utility. You see this screen:



5. Click the EPSON StatusMonitor icon.

The software checks the status of ink in the printer and maintenance cartridge, and displays a screen like this one:



6. To recheck the ink levels, click the Update button.
7. To close the Status Monitor, click OK.

Selecting the Correct Media Type Setting

The following table lists the settings designed to produce the best results on Epson media.

If your paper is not listed, check the instructions included with the paper, or look on the Epson website www.proimaging.epson.com (U.S. sales), www.epson.ca (Canadian sales). If you are using non-Epson paper, consult the manufacturer for the best setting. You may have to experiment with different settings to determine which one is best for the media you're using.

For this media	Select this Media Type setting*
Epson Premium Photo Paper Glossy	Premium Photo Paper Glossy
Epson Premium Photo Paper Semi-gloss	Premium Photo Paper Semi-Gloss
Epson Premium Photo Paper Luster Epson Ultra Premium Photo Paper Luster	Ultra Premium Photo Paper Luster
Epson Proofing Paper White Semimatte	Proofing Paper White Semimatte
Epson Velvet Fine Art Paper	Velvet Fine Art Paper
Epson Watercolor Paper - Radiant White	Watercolor Paper Radiant White
Epson UltraSmooth Fine Art Paper	UltraSmooth Fine Art Paper
Epson Singleweight Matte Paper	Singleweight Matte Paper (line drawing)
Epson Presentation Paper Matte	Presentation Paper Matte
Epson Ultra Premium Presentation Paper Matte	Ultra Premium Presentation Paper Matte
Epson Premium Presentation Paper Matte	Premium Presentation Paper Matte
Plain paper Epson Bright White Paper	Plain Paper/Bright White Paper
Epson Exhibition Fiber Paper	Exhibition Fiber Paper
Epson Cold Press Bright	Cold Press Bright
Epson Cold Press Natural	Cold Press Natural
Epson Hot Press Bright	Hot Press Bright

For this media	Select this Media Type setting*
Epson Hot Press Natural	Hot Press Natural
Epson Exhibition Canvas Matte	Exhibition Canvas Matte
Epson Premium Canvas Matte	Premium Canvas Matte
Epson Standard Proofing Paper (240)	Standard Proofing Paper (240)
Epson Standard Proofing Paper SWOP 3	Standard Proofing Paper SWOP 3

* Other Media Type settings in the list can be used to experiment with other paper types.

Chapter 4: Printing with Epson Drivers for Windows

Your Epson Stylus Pro 3880 comes with drivers and utilities that let you print and manage print jobs. For the best black-and-white photography output, the Epson Stylus Pro 3880 driver offers Advanced Black and White mode.

ICC profiles are included, so you can use the color management features in Adobe Photoshop or other applications, or in the driver itself. A color-managed workflow using Photoshop and a color-calibrated monitor will give you the most accurate colors and best output from your printer for color photos.

You can create your own profiles if you have the required hardware and software, or you can have them created by a color specialist. Make sure any profiles you want to use are located in the correct folder for your operating system. When you install the Epson printer driver, the included profiles are automatically copied to the right folder.

Before you print, make sure you have installed the Epson printer driver and utilities from the printer software CD-ROM. For instructions on installing the printer driver, see the *Start Here* sheet.

This chapter includes the following information:

- Choosing basic print settings
- Choosing paper and layout settings
- Choosing advanced print settings, including color management settings
- Choosing Advanced Black and White mode settings
- Managing print jobs

Tip: Check the Epson Pro Imaging website at www.proimaging.epson.com for updated drivers and utilities that may become available.

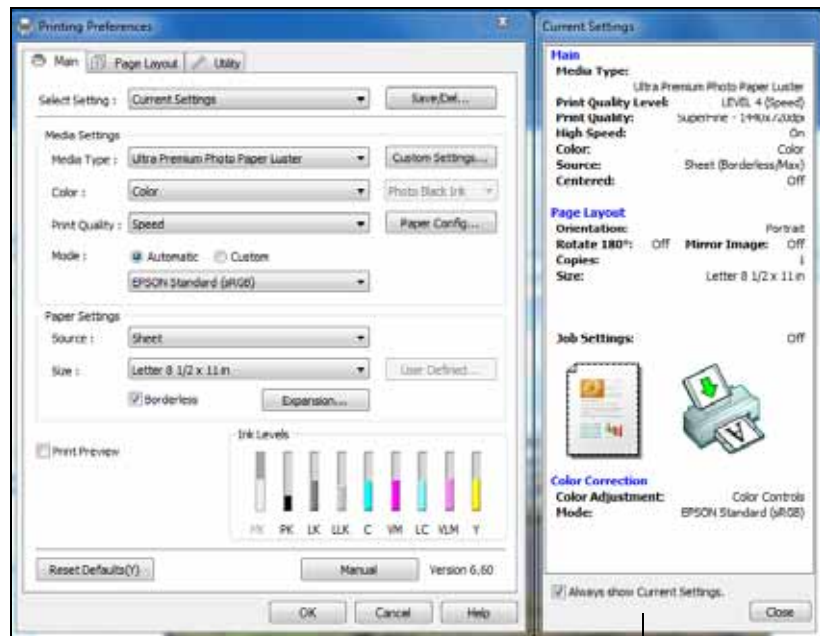
Choosing Basic Print Options

The driver offers automatic settings that optimize print quality and speed when you're using Epson media. You can also choose advanced settings for more control over your printer and color management options.

Follow these steps to make basic settings:

1. Start an application, open the file you want to print, and select Print in your application. You see the Print window.
2. Make sure your printer is selected, then click the Properties or Preferences button. (If you see a Setup, Printer, or Options button, click it instead. Then click Properties or Preferences.)

You see a window like the following:



Note: If you need more information about print options, you can click the **Help** button on any screen.

This box shows you the current settings, but you can't change them from here

3. Select the Media Type that corresponds to the paper you are printing on. If you are using a color-managed workflow, make sure you choose media type and resolution settings that match the ICC profile you are using.

If your paper is not listed, check the instructions included with the paper, or check the Epson Pro Imaging website at www.proimaging.epson.com. If you are using non-Epson paper, choose the closest setting. You may have to experiment with different settings to determine which one is best for the media you're using.

4. For the Color setting, select Color for any type of photographic printing. Choose Advanced B&W Photo to print black-and-white photos on select paper types; see page 75. (For paper types that don't support this option, print black-and-white photos with the Color setting.) Select Black only if you're printing line drawings or other non-photographic images.

Note: The Print Quality settings depend on the Media Type you selected. Choose lower print quality for faster printing, or **SuperPhoto - 2880dpi** for best quality.

5. For the Print Quality setting, choose Speed or Quality. Or choose Quality Options to display a window like the following:



Use the Speed/Quality slider to set the desired quality level. Select from the following additional options and click OK:

- High Speed for fast, bidirectional printing at lower quality.
- Edge Smoothing to improve the quality of low-resolution images.
- Finest Detail for sharper edges on vector-based data including text, graphics, and line art. (This setting does not affect photographs and is not recommended for large files.)

6. Set the Mode option as follows:

- Select Automatic to have the printer driver analyze the contents of your image or file and make the appropriate printing adjustments. If a Quality/Speed slider appears in the Mode box, set it according to the priorities of your print job.

You can choose one of the following mode settings:

EPSON Standard (sRGB) increases the contrast in images. Use this setting for most color photographs.

Adobe RGB matches image colors to the Adobe RGB color standard.

- Select Custom to choose a color management option as described below.

Choosing Color Management Options

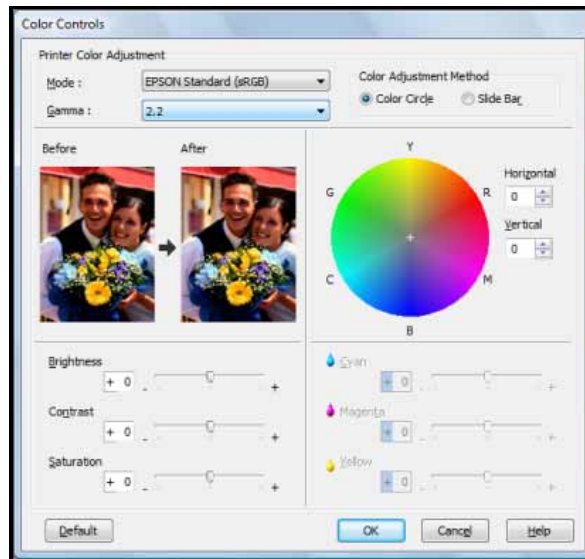
The printer driver offers several methods for managing the color in your prints, including turning the driver's color management settings off.

If you are using color management settings in Photoshop or another application, it is very important to access the advanced settings and turn off color management in the printer driver, as described here.

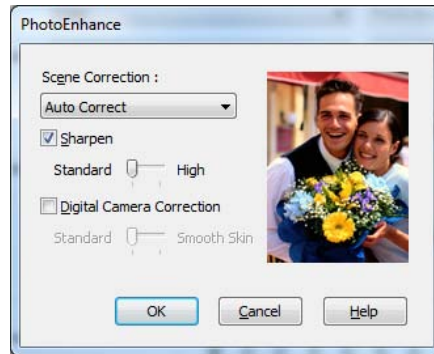
1. In the Properties or Preferences window, make sure the Main tab is selected.
2. For the Mode setting, select Custom.

Tip: If you turn off color management, you can still control the ink density, as described on page 74.

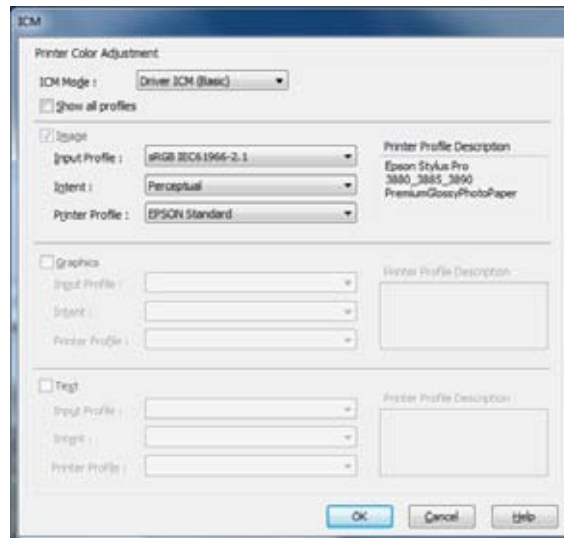
3. Choose one of the following settings (if you select Color Controls, PhotoEnhance™, or ICM, click the Advanced button after you select the setting):
 - Off (No Color Adjustment) disables color management in the printer driver. Choose this mode when you use a color managed workflow in Photoshop or other software.
 - Color Controls lets you specify individual values for adjusting brightness, contrast, saturation, and CMY inks, or choose from three Printer Color Adjustment modes. You can also choose from two Gamma settings, and use either a color circle or slide bar to adjust color.



- PhotoEnhance allows you to automatically correct images and choose from six Scene Correction settings.



- ICM adjusts colors based on the printer's ICC profile, using the Image Color Matching system. You can choose the input profile and other settings as shown below.



4. Click OK to save your settings.

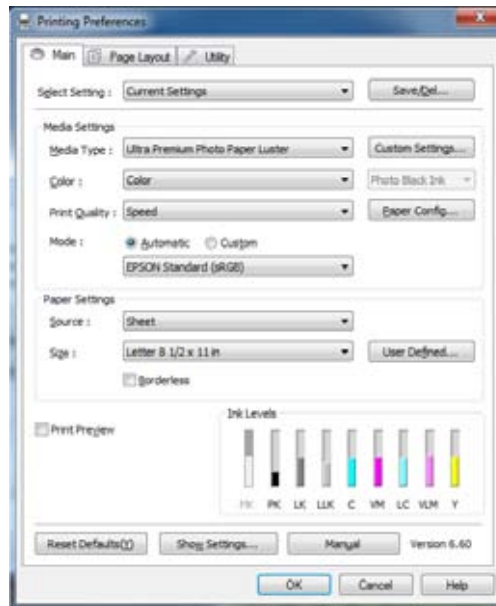
Choosing Paper and Layout Options

Note: Many application settings override settings in the printer driver. Always verify settings to get the results you expect.

You can select a variety of settings for margins, orientation, sizing your image, and double-sided printing. Follow the instructions below to select paper settings.

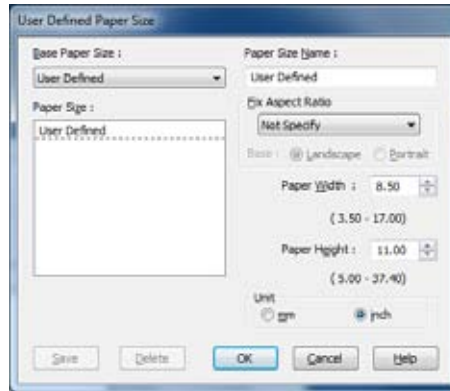
Choosing Paper Options

1. On the Main tab, you see a window like this one:



2. Select the paper source you're using (Sheet, Manual - Rear, or Manual - Front) from the Paper Source list.
3. Select the Paper Size you loaded in the printer. If your paper size is not listed, select User Defined to create a custom paper size.

You see a window like this one:



Note: If your application has margin settings, make sure they're turned off for borderless printing.

Borderless printing takes longer than normal printing.

Borderless printing is not available when using the front manual feed slot.

Type a name for your custom size, then enter the size in hundredths of an inch (or centimeters) and click Save, then click OK.

4. If you want to print to the edges of the page, click Borderless.

Click the Expansion button, then choose one of the following:



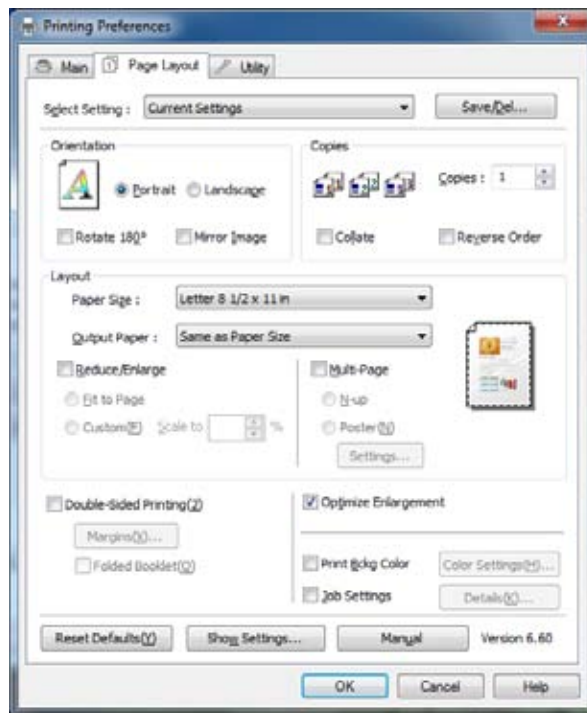
- Auto Expand enlarges your image up to 3% to fit the size paper without borders. If too much of your image's edges are cut off, you can adjust the expansion slider to choose Min, Mid, or Max. The Min setting retains the entire image in your print, but there may be a small white border on the edges of the print. The Max setting expands the image to ensure that there are no unprinted edges, but the edges of the image may be cropped.

- Retain Size prints your image at the size you specify in your application. You need to size your image slightly larger than the paper if you want to print without borders.
5. If you want to reduce or enlarge your image or print on both sides of the paper, click the Page Layout tab.
 6. If you're ready to print, click OK.

Choosing Layout Options

You can print a poster-size image, even if your application does not support poster printing. Follow these steps to reduce or enlarge your image:

1. On the Properties or Preferences window, click the Page Layout tab. You see this window:



2. Select the correct Copies and Orientation settings as necessary.

3. Click Reduce/Enlarge to have the driver resize your image. You can select Fit to Page and select the paper size you loaded in the Output Paper list. Or select Custom and enter a percentage to scale your image.
4. If you are enlarging your image beyond the limits of your application program, click Optimize Enlargement. The driver will increase the image size up to 400% and decrease the output resolution to stay within the pixel limitations.

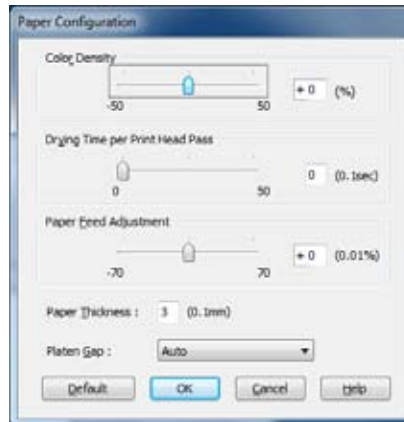
Depending on the resolution of your original image and the print size, you may see reduced quality in the print.

Choosing Paper Configuration Options

1. If you are using non-Epson media and you need to fine-tune its performance, select the Main tab and click the Paper Config button.

You see a window like this one:

Note: You may need to change the Color Density setting if your custom profile was created to optimize D-max and color gamut.



2. Select the correct settings to match your ICC profile. These settings override any paper configuration settings you may have made using the printer's control panel.
 - Color Density lets you control the ink saturation level (for example, when you turn off color management in your printer software).
 - Drying Time per Print Head Pass lets you print with non-Epson media and avoid smearing the ink. You can make the print head wait up to 5 seconds after each pass to allow ink to dry on the page.

- Paper Feed Adjustment helps reduce banding. Choose a lower value if you see white lines on your prints, or a higher value if you see dark lines.
- Paper Thickness helps reduce vertical banding and creates a sharper image when printing on unusually thick or thin paper.
- Platen Gap lets you fine-tune the setting for unusually thick or thin paper.

When you're finished selecting Paper Configuration settings, click OK.

3. Click Save Settings if you want to have your advanced settings available for reuse. Then type a name for the group of settings and click Save. The name is added to your list of custom settings.
4. When you're finished setting advanced printer options, click OK.

Choosing Advanced Black and White Photo Settings

Advanced Black and White Photo mode allows you to easily produce neutral and toned black-and-white prints using your Epson driver. This mode offers an alternative black-and-white workflow with settings for more advanced control.

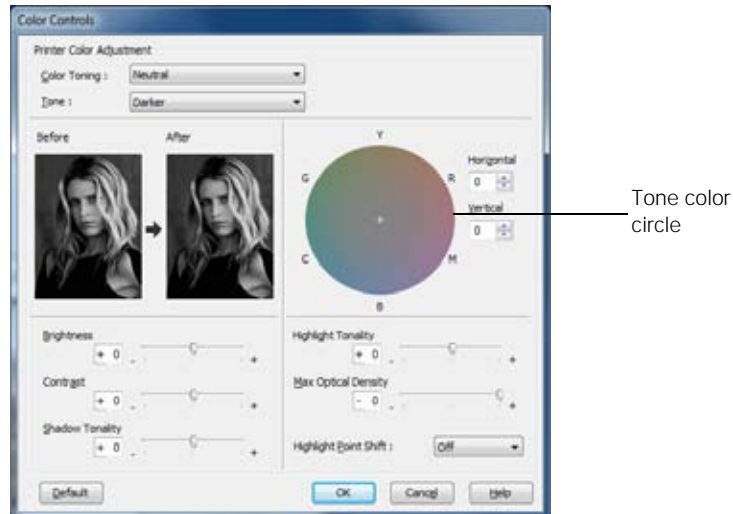
Whether your photo is color or grayscale, you can use this unique screening and color management technology to create stunning black-and-white prints. This mode is available only when printing on certain media types.

1. On the Properties or Preferences window, make sure the Main tab is selected.
2. Select a Media Type setting that corresponds to the paper you are printing on.
3. For the Color setting, choose Advanced B&W Photo.
4. For the Mode setting, select Custom, then click Advanced.

Note: If you are printing from Photoshop, make sure you do not use Photoshop's color management settings when using Advanced Black and White Photo mode. There are no profiles associated with this screening and color management technology.

Note: If Advanced Black and White Photo is not available for your media type, you may need to change your black ink type.

You see this screen:



Note: The preview image will always be the same image and is not color managed. It is just to be used to give you a level of feedback as you make changes.

5. Choose the settings that are best for your photo. You can use the preview image on the screen as a guide.
6. You can adjust the following advanced black and white photo settings:
 - Color Toning allows you to add tone (hue) to your black and white output. The default is Neutral, which will provide you with a neutral tonal scale print. You can also choose other popular presets such as Cool, Warm, and Sepia. Note that the presets will affect the target found in the tone color circle.
 - Tone allows you to easily change the entire tonal scale of your black and white output. While Darker is the default setting, you may see better results if you choose Dark.
 - Brightness adjusts the overall lightness and darkness of your image.
 - Contrast adjusts the difference between the light and dark areas of your image.
 - Shadow Tonality and Highlight Tonality allow you to control tonality only in the shadow or highlight areas of your image.
 - Max Optical Density adjusts the overall density or focus of the print. Create a soft focus print by setting the density lower.

- Highlight Point Shift helps to reduce gloss differential by adding density to the highlights of your image or the full page.
- Tone color circle adjusts the hue of your black and white print. Click on any portion of the color wheel or enter corresponding values to customize the tone (hue) you want to add. The closer you select to the edge of the wheel, the more color you add.

7. When you finish selecting settings, click OK.

Saving, Exporting, and Importing Custom Settings

You can save groups of settings so you can reuse them for future print jobs with the same profile/printer/ink/media combination. You can also export them as a file that you can share with others, who can import them for printing.

In addition, the printer driver includes pre-defined setting groups for various types of printing. You can select them to set most of the settings you need, and then customize them for your particular print job.

You can also add, delete, or hide items in the printer driver window to customize the driver for your uses.

Saving and Exporting a Custom Settings Group

1. Follow the instructions in this chapter to select all the correct settings for a print job.
2. Click the Save/Del button at the top of the Main or Page Layout screen.
3. Verify that your settings are correct, type a name for the settings group, and click Save.
4. After saving your settings, you can do the following:
 - To use the setting group to print right away, select the name you gave it in the Select Setting list, if necessary, and print.

- To save the settings to a file that you can share, click the Save/Del button again, click the name of the setting group in the list, click Export, select a location, enter a file name, and click Save.

Importing a Custom Settings Group

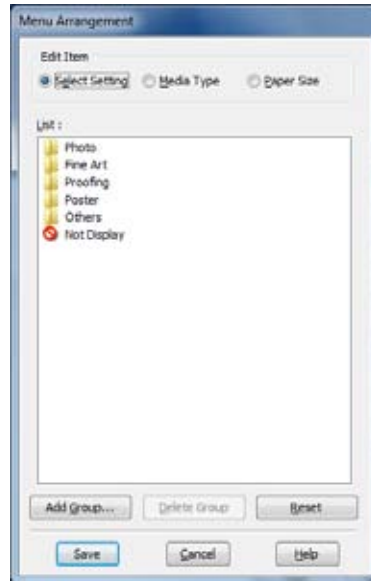
1. To import settings from a file shared with you that does not exist in your Select Setting list, click the Save/Del button.
2. Click Import, select the file you want to import, and click Open.
3. When you return to the settings list window, click Cancel.
4. To use the setting group to print right away, select the name you gave it in the Select Setting list, if necessary, and print.

Loading a Pre-Defined Settings Group

1. To view the settings associated with the pre-defined setting groups that came with your printer driver, click the Save/Del button. Then click the following category and name, and check the Registered Settings column:
 - Photo > Highest Quality
 - Fine Art > Monochrome
 - Proofing > ICM
 - Poster > Chroma Saturation
 - Others > 2Page N-up
2. Click Cancel.
3. To load a pre-defined setting group, select its category name in the Select Setting list (if necessary), customize any of the settings that do not match your print job, and print.

Editing Printer Driver Settings

1. Click the Utility tab, then select Menu Arrangement.



2. Select the item you want to edit. You can do the following:
 - Drag and drop the items to rearrange them
 - Add or delete groups
 - Move unused items into the Not Display group
3. When you're finished, click Save.


Managing Print Jobs

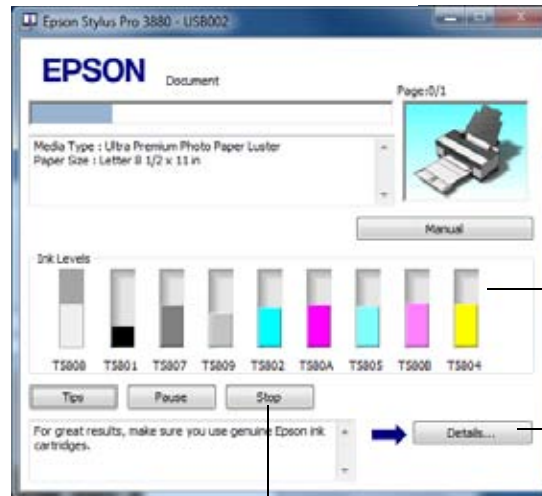
Your printer comes with two utilities that let you check on your print jobs and cancel, pause, or restart them.

The Progress Meter opens each time you send a print job. Status Monitor 3, which appears on the taskbar when you print, lets you check the printer's status and monitor print jobs. You can control how these programs work using the Speed and Progress and Monitoring Preferences utilities.

Using the Progress Meter

After you send a print job, the Progress Meter window appears:

Note: If it is no longer spooling in the computer, you can also cancel a print job by pressing the  button on the printer, selecting JOB CANCEL, and pressing the OK button.



May not appear if you are printing over a network

Click for more details on the displayed printing tip

Click to cancel printing

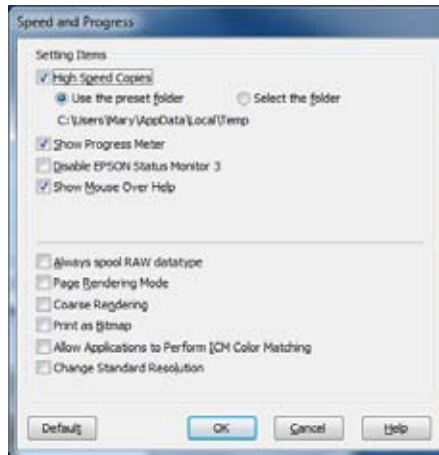
You can use the Stop button to cancel your print job or Pause button to temporarily stop or restart it. You also see how much ink you have left and view printing tips.

If you don't want the Progress Meter to appear, you can turn it off. See the next section for instructions.

Optimizing Print Speed

You can use the Speed and Progress utility to improve printing speed.

1. Click the Utility tab, then click the Speed and Progress button. You see this window:



Note: If you want to disable display of the progress meter during printing, you can click the **Show Progress Meter** checkbox to deselect it.

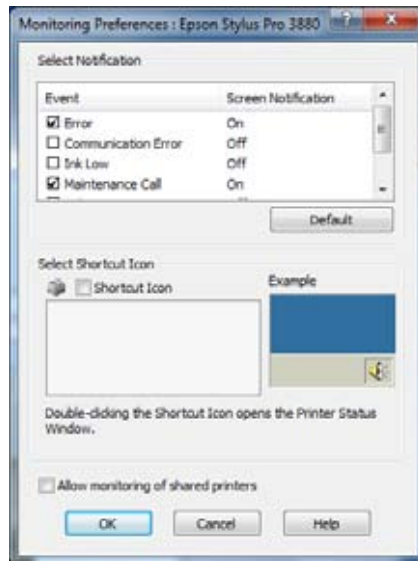
2. Select from the following options:
 - **High Speed Copies** speeds up printing of multiple copies of the same document using hard disk space as a cache. If you have multiple hard drives, you can select a different drive to spool to in the High Speed Copy Folder list to the right.
 - **Show Progress Meter** lets you control whether or not the Progress Meter is displayed when you send a print job.
 - **Disable EPSON Status Monitor 3** disables the printer software utilities. Selecting this option is not recommended unless you experience conflicts with other software.
 - **Show Mouse Over Help** lets you turn off the tool tips that appear when you move your cursor over the screen.
 - **Always spool RAW datatype** lets you spool documents using the RAW format instead of the EMF (metafile) format. Because the RAW format requires fewer resources, printing is faster and you can avoid certain problems, such as insufficient memory or disk space.

- Page Rendering Mode speeds printing by rendering the entire page. Use this setting if print speed is extremely slow or the print head stops for a few minutes while printing. Printing will take longer to start.
 - Coarse Rendering allows you to override the length or width limitations in applications (such as Photoshop) that restrict the number of pixels you can print.
 - Print as Bitmap allows large or complex vector graphics to print faster in Adobe Acrobat® or any other non-image based application.
 - Allow Applications to Perform ICM Color Matching allows applications to perform ICM color matching even when prohibited by the driver.
 - Change Standard Resolution resolves print problems by changing the standard resolution.
3. Click OK to save your settings.

Setting Monitoring Preferences

You can choose when and how you want to be notified of problems, whether you want a Status Monitor 3 icon to appear on your Windows taskbar, and whether you want to allow monitoring by other users who share the printer.

1. Click the Utility tab, then click the Monitoring Preferences button.
You see this window:



2. Select the notification options you want to use if various printing events occur.
3. If you want to have the Status Monitor 3 icon appear in your Windows taskbar, click the Shortcut Icon checkbox. Then select the icon to use.
When the shortcut is enabled, you can simply double-click the icon to open the Status Monitor 3 window or right-click it, then select Monitoring Preferences in the pop-up menu.
4. Select Allow monitoring of shared printers if your printer is shared and you want to let other users monitor it.
5. Click OK to save your settings.

Selecting the Correct Media Type Setting

The following table lists the settings designed to produce the best results on Epson media.

If your paper is not listed, check the instructions included with the paper, or look on the Epson website www.proimaging.epson.com (U.S. sales), www.epson.ca (Canadian sales). If you are using non-Epson paper, consult the manufacturer for the best setting. You may have to experiment with different settings to determine which one is best for the media you're using.

For this media	Select this Media Type setting*
Epson Premium Photo Paper Glossy	Premium Photo Paper Glossy
Epson Premium Photo Paper Semi-gloss	Premium Photo Paper Semi-Gloss
Epson Premium Photo Paper Luster Epson Ultra Premium Photo Paper Luster	Ultra Premium Photo Paper Luster
Epson Proofing Paper White Semimatte	Proofing Paper White Semimatte
Epson Velvet Fine Art Paper	Velvet Fine Art Paper
Epson Watercolor Paper - Radiant White	Watercolor Paper Radiant White
Epson UltraSmooth Fine Art Paper	UltraSmooth Fine Art Paper
Epson Singleweight Matte Paper	Singleweight Matte Paper (line drawing)
Epson Presentation Paper Matte	Presentation Paper Matte
Epson Ultra Premium Presentation Paper Matte	Ultra Premium Presentation Paper Matte
Epson Premium Presentation Paper Matte	Premium Presentation Paper Matte
Plain paper Epson Bright White Paper	Plain Paper/Bright White Paper
Epson Exhibition Fiber Paper	Exhibition Fiber Paper
Epson Cold Press Bright	Cold Press Bright
Epson Cold Press Natural	Cold Press Natural
Epson Hot Press Bright	Hot Press Bright

For this media	Select this Media Type setting*
Epson Hot Press Natural	Hot Press Natural
Epson Exhibition Canvas Matte	Exhibition Canvas Matte
Epson Premium Canvas Matte	Premium Canvas Matte
Epson Standard Proofing Paper (240)	Standard Proofing Paper (240)
Epson Standard Proofing Paper SWOP 3	Standard Proofing Paper SWOP 3

* Other Media Type settings in the list can be used to experiment with other paper types.

Chapter 5: Maintaining and Transporting the Printer

The Epson Stylus Pro 3880 requires little maintenance to keep working at its best. This chapter describes the following routine procedures:

- Checking printer status and part life
- Checking and cleaning the print head
- Aligning the print head
- Replacing ink cartridges
- Performing additional maintenance tasks (changing the black ink type, adjusting the date and time, adjusting the LCD contrast)
- Replacing the maintenance cartridge
- Cleaning the printer
- Transporting or storing the printer
- Uninstalling and reinstalling printer software
- Updating the printer firmware

In addition to the features described in this chapter, you can also use the printer's menu system to fine-tune a variety of printer settings.

Note: To test the print quality, see page 90 for instructions on printing a nozzle check.

Checking Printer Status and Part Life

Using the printer's menu system, you can check the status of your ink cartridges, the total number of prints, and the status of your maintenance cartridge and other printer parts. You can either print out a status check or you can view the printer's status on the LCD panel.

Printing Status Information

The status check sheet shows some of the current default settings, the status of the ink in each cartridge, the page count, and the status of various printer parts.

Follow these steps to print the status check sheet:

1. Make sure paper is loaded in the printer.
2. Press the Menu ► button and then ▼ to highlight TEST PRINT.
3. Press ► then ▼ to select STATUS SHEET.
4. Press ► to select PRINT.
5. Press the ↵ Enter button to start printing.

The service life for each ink cartridge and the maintenance cartridge is indicated as follows:


```
E[*****]F
E[**** ]F
E[*** ]F
E[** ]F
E[* ]F
```

Note: You can replace the ink cartridges and maintenance cartridge yourself. Other printer parts need to be replaced by an authorized Epson service technician.

Viewing Status Information

Note: Some status information is a projection based on the last print made.

To view printer status information instead of printing it, follow these steps:

1. Press the Menu ► button and then ▼ until PRINTER STATUS is highlighted.
2. Press ► to select VERSION.
3. Do one of the following:
 - To check the firmware version, press ► again. When done, press ◀.
 - To check the number of pages that can be printed with each ink cartridge, press ▼ to select PRINTABLE PAGES, then press ►. Press ▼ or ▲ to scroll through the ink cartridges and see approximately how many pages can be printed with each ink cartridge. When done, press ◀.
 - To check the ink status, press ▼ to select INK LEVEL, then press ►. You see MATTE BLACK and the ink status for that cartridge. Press ▼ or ▲ to scroll through the ink cartridges and see their status. When done, press ◀.
 - To check how much of the maintenance cartridge has been used, press ▼ to select MAINTENANCE CART, then press ►. You see how much capacity remains in the cartridge. When done, press ◀.
 - To check the total amount of ink used (in milliliters), press ▼ to select USAGE COUNT, then press ►. When done, press ◀.
You can clear this setting with the CLEAR USAGE COUNT option.
 - To check job history, press ▼ to select JOB HISTORY, then press ►. For the last 10 print jobs saved in the printer, you see the total ink used (in milliliters) and the paper size used most recently. The most recent job is saved as No. 0. When done, press ◀.
 - To check the total number of prints, press ▼ to select TOTAL PRINTS, then press ►. You see the total number of pages that have been printed. When done, press ◀.
4. Press the  Cancel/Reset button to exit the menu.


Note: You can change the units of measurement from meters to inches and feet using the printer's maintenance mode. See page 103 for instructions.

Checking and Cleaning the Print Head

Note: You can run a cleaning cycle by holding down the **Menu** button for three seconds. You can also use the printer's menu to run a power cleaning cycle. See page 92 for details.

If your printed image shows a color shift or horizontal or vertical lines, you should check the print head to see if any nozzles are clogged.

You can automatically check and clean the print head using the Auto Cleaning feature in your printer utility software. This enables the printer to print a nozzle check pattern, read it, and run a cleaning cycle if necessary.

1. Make sure several sheets of letter-size (or larger) paper are loaded in the auto sheet feeder.
2. Do one of the following to access the printer utilities:
 - **Macintosh:** In the Apple menu or the Dock, select System Preferences, Print & Fax or Print & Scan, select your product, Options & Supplies, Utility, and click on Open Utility.
 - **Windows 7 and Windows Vista:** Click  and then Devices and Printers. Right-click your printer icon and select Printing Preferences. Click the Utility tab.
 - **Windows XP:** Click Start, select Settings, and select Control Panel. Double-click Printers and Faxes. Right-click your printer icon and select Printing Preferences. Click the Utility tab.

You see a screen like the following:



Windows



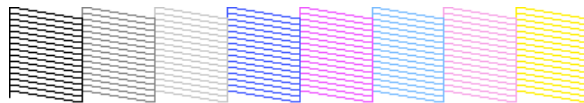
Mac OS X

3. Click the Nozzle Check icon.
4. Click Print to print the nozzle check pattern so you can see if the print head needs to be cleaned. Or click Auto if you want to run the nozzle check and have the printer automatically clean the print head if necessary.

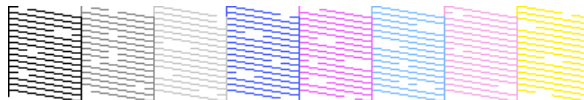


Note: You must use at least a 10× eye loupe to check the pattern.

5. Examine the nozzle check pattern to make sure it has no gaps or lines.
 - If the printout looks okay as shown below, you're done. Click Finish.



- If you see any gaps as shown below, click Clean to clean the print head and follow the on-screen instructions.











6. If the nozzles do not clear after a few cleaning cycles, run a Power Cleaning Cycle, as described in the next section.

Running a Power Cleaning Cycle

You can run a power cleaning cycle from the control panel if the normal cleaning process is not sufficient to clear the nozzles. However, the power cycle uses a large quantity of ink, so it is recommended only as a last resort.

The cartridges need to be at least 50% full to use power cleaning. You may need to replace a low cartridge to run the cleaning cycle. After cleaning, you can reinsert the old cartridge.

1. Print a nozzle check to make sure the print head needs cleaning, as described on page 90.
2. Make sure the printer is ready and the red  ink light is not on or flashing.
3. Press the Menu  button.
4. Press  until MAINTENANCE is highlighted, then press .
5. Press  to select POWER CLEANING, then press .
6. Press the  Enter button to start the power cleaning.
7. When cleaning is finished and the  Power light stops flashing, print the nozzle check again to confirm that the head is clean.

For effective cleaning, always run a nozzle check between cycles.

If the pattern is still missing segments after a few power cleaning cycles, turn off the printer and let it sit overnight. Then clean the print head again the following morning with regular cleaning cycles. If you still see no improvement, contact Epson for assistance.

Caution: Don't run a power cleaning cycle while thick media is loaded in the printer.

Aligning the Print Head

Aligning the print head is the most important thing you can do to ensure the best print quality. If banding appears on your prints, if they look grainy or blurry, or you see misregistration or “ghosting,” you need to align the print head.

Although you can align the print head using the printer utility software, it's best to align from the printer's control panel. This will do the most thorough job in the shortest time, and it's all automatic.

If you haven't already done so, it's a good idea to run a nozzle check before aligning the print head (see page 90). This ensures that the print head alignment patterns print correctly.

Follow these steps to align the print head using the control panel:

1. Make sure the printer is turned on. Then load one of the following types of paper:
 - Epson Premium Glossy Photo Paper
 - Epson Premium Photo Paper Glossy
 - Epson Premium Luster Photo Paper
 - Epson Ultra Premium Photo Paper Luster
 - Enhanced Matte Paper
 - Epson Ultra Presentation Paper Matte
 - Epson Presentation Paper Matte
2. Press the Menu ► button.
3. Press ▼ until HEAD ALIGNMENT is highlighted. Then press ►.
4. Make sure Auto is highlighted and then press ►.

5. Press ▼ or ▲ to select the type of paper you loaded: PREM. GLOSSY/LUSTER, P Q INK JET PAPER (Epson Presentation Paper Matte), or ENHANCED MATTE PAPER (Ultra Premium Presentation Paper Matte). Then press ►.
6. Press ↵ Enter to start printing. After printing is complete, the printer starts aligning the print head.


It takes several minutes to run the head alignment. The printer's white beam sensor reads the alignment pattern and adjusts the printer automatically. Make sure you don't open the top cover or turn off the printer during this process.

If you want to verify or fine-tune the alignment process, you can perform a manual head alignment.

Aligning the print head manually




When you want to use the non-Epson special media, you can perform the head alignment manually. To perform head alignment manually, follow the steps below.

1. Press the Menu ► button.
2. Press ▼ until HEAD ALIGNMENT is highlighted. Then press ►.
3. Press ▼ to select MANUAL. Then press ►.
4. Press ▼ to select actual paper thickness value between 0.1 mm and 0.5 mm.
5. Press ► to register your value.

6. Press  Enter, and the printer starts printing.

Head alignment pattern examples:

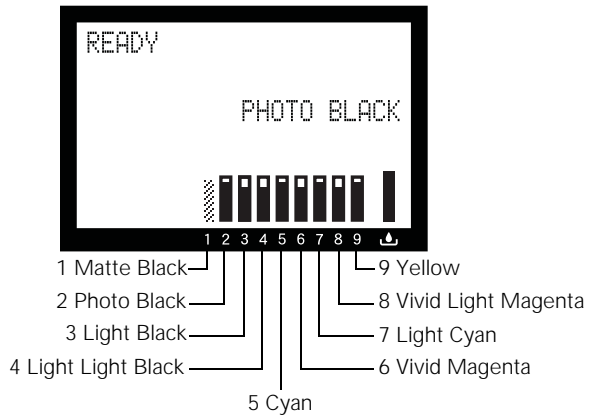



7. After printing is finished, the pattern number and current set number are displayed. Select the set that has the smallest gaps, and then press the  or  button to display the number for that set.
8. Press  Enter to register the set number. The next pattern number appears. Then repeat step 7.
9. After you set the pattern, the printer exits Menu mode and returns to the READY status.

Replacing Ink Cartridges

Before you begin a large print job, you should check your ink levels. If one of your cartridges is low, you can replace it before you start. Or you can wait until the ink cartridge needs to be replaced, and then continue the job without any loss of print quality. However, it is best to replace a low ink cartridge before starting a large print job.

The easiest way to check ink levels is from the control panel:



When the red  ink light is flashing and INK LOW appears on the LCD panel, the indicated cartridge is low on ink. Make sure you have a replacement cartridge. When the light stays on and you see the LCD message REPLACE INK CARTRIDGE, the cartridge is expended. You must replace the cartridge before you can continue printing.

Use the following UltraChromeK3® Epson ink cartridges:

Caution: You must use the Epson ink cartridges designed for your printer. Other ink cartridges will not work and may cause damage not covered by your warranty.



Cartridge	Product code
Matte Black	T580800
Photo Black	T580100
Light Black	T580700
Light Light Black	T580900
Cyan	T580200
Vivid Magenta	T580A00
Light Cyan	T580500
Vivid Light Magenta	T580B00
Yellow	T580400

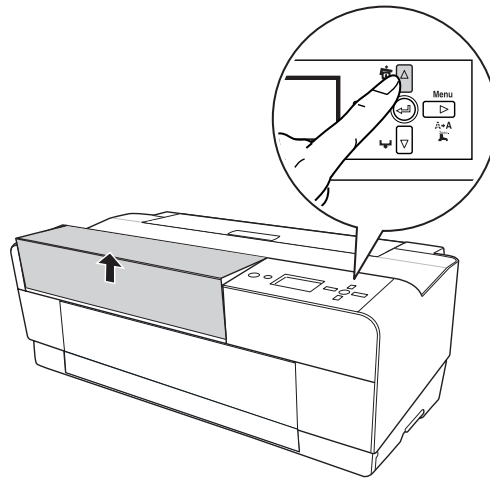
You can purchase genuine Epson ink and paper from an authorized Epson reseller. To find the nearest reseller, call 800-GO-EPSON (800-463-7766). Or you can also purchase online at www.epsonstore.com (U.S. sales) or www.epson.ca (Canadian sales).

Caution: Leave the low or expended cartridge in the printer until you are ready to replace it.

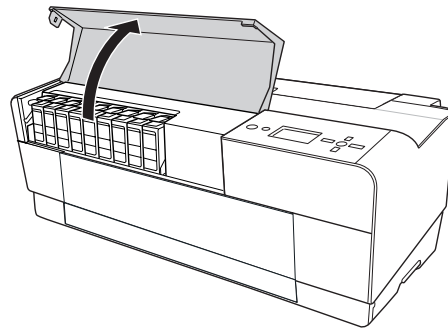
To prevent ink reporting errors, never replace the ink cartridges with the printer turned off.

Before you start, make sure the printer is turned on. Then follow these steps to replace an ink cartridge:

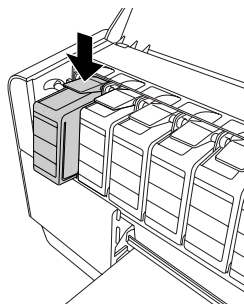
1. Note the color of the cartridge whose icon and abbreviation is on or flashing. This is the cartridge you need to replace.
2. If the red  ink light is on and REPLACE INK CARTRIDGE appears on the printer's LCD, press the  button to unlock the ink cover. If the light is flashing and the LCD message is INK LOW, you need to hold down the button for 3 seconds to unlock the ink cover.



3. Lift the ink cover.

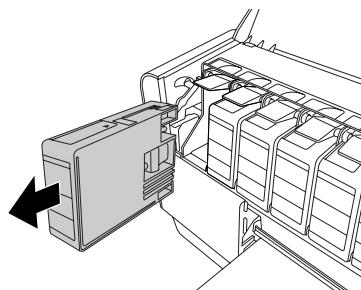


4. Press the ink eject button above the cartridge you need to replace. The ink cartridge slides out slightly.



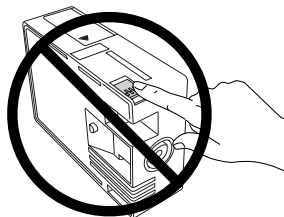
5. Carefully pull the cartridge straight out of the slot and dispose of it properly.

WARNING: Do not shake the expended cartridge, or ink may leak out. If ink gets on your hands, wash them thoroughly with soap and water. If ink gets in your eyes, flush them immediately with water.

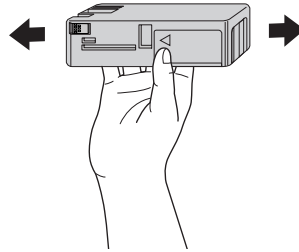


6. Make sure the replacement ink cartridge is the correct color, and then remove it from its package.

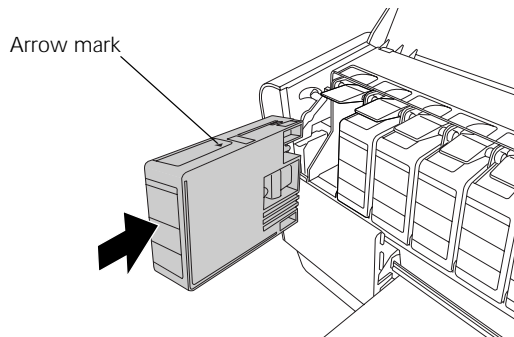
Caution: Do not touch the green chip on the top of the cartridge. Doing so may prevent normal operation and printing.




7. Shake the ink cartridge well before installing it.



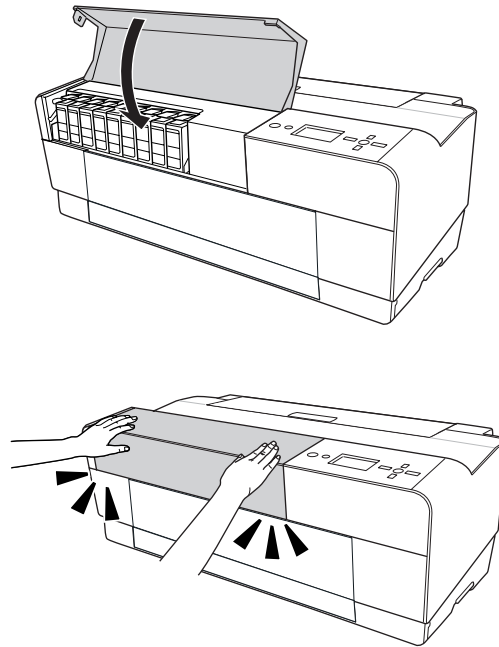
8. Hold the ink cartridge with the arrow mark facing up and pointing to the back of the printer, and then insert it into the slot until it clicks.



The printer has a protection system to prevent improper cartridge insertion. If you cannot insert the ink cartridge easily or if you see the message INK CARTRIDGE ERROR on the LCD panel, the type of cartridge may be incorrect. Check the package and product code.

If the  ink light remains on, the ink cartridge may not be installed correctly. Remove the ink cartridge and then reinsert it as described above.

9. Close the ink cover and press it until it clicks.



When you see **READY** on the LCD, the printer is ready to print.

Performing Additional Maintenance Tasks

In addition to running a power cleaning cycle, you can use the Maintenance menu to switch between Matte Black and Photo Black, set the printer's date and time, and adjust the contrast on the LCD screen.

The printer also provides a maintenance mode which lets you change the printer's defaults and run special procedures.

Changing the Black Ink Type

You can use either Matte Black or Photo Black for printing. Both cartridges are installed all the time, and the printer knows which cartridge to use depending on the Media Type selected in the printer driver. You may sometimes need to switch cartridges as described below when using non-Epson media.

The Photo Black cartridge is ideal for printing photographic images on all media types. It is optimized for traditional photographic and ink jet-coated papers, such as Epson Ultra Premium Photo Paper Luster and Epson Photo Paper Semi-gloss.

The Matte Black cartridge is optimized for printing photographic images on matte or plain papers, such as Epson Ultra Premium Presentation Paper Matte and Epson Velvet Fine Art Paper.

Generally, you should switch black ink types only if you plan to run a large number of print jobs in the new mode. Since it takes several minutes to switch and consumes some ink, you shouldn't switch black ink types more often than necessary.

Follow these steps to switch from one black ink type to the other:

1. Press the Menu ► button.
2. Press ▼ until MAINTENANCE is highlighted, then press ►.
3. Press ▼ to select BLACK INK CHANGE, then press ►.
4. Press the ↵ Enter button. The printer charges the cartridge (this takes a few minutes) and you see PHOTO -> MATTE or MATTE -> PHOTO on the LCD.

When the change is complete, the LCD displays READY and the name of the current black cartridge.

Changing the Date and Time

Follow these steps to set the date and time:

1. Press the Menu ► button.

2. Press ▼ until MAINTENANCE is highlighted, then press ►.
3. Press ▼ to select CLOCK SETTING, then press ►.
4. Use ▲ or ▼ to set each item in the date and time, displayed in the following format: MM/DD/YY HH:MM.
5. Press ⏏ Cancel/Reset when you finish.

Adjusting the LCD Contrast





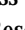

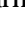
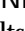

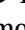

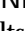

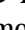

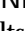

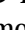
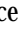
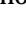
Follow these steps to change the LCD contrast:

1. Press the Menu ► button.
2. Press ▼ until MAINTENANCE is highlighted, then press ►.
3. Press ▼ to select CONTRAST ADJUSTMENT, then press ►.
4. Use ▲ or ▼ to increase or reduce the screen contrast.
5. Press ⏏ Cancel/Reset when you finish.

Using Maintenance Mode

Maintenance mode allows you to change the language or units of measurements used in the printer's menus and return all the menu settings to their default values.

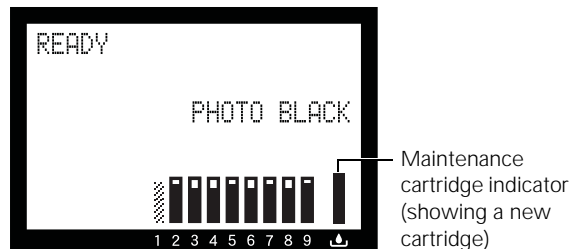
Follow these steps to use maintenance mode:

1. Make sure the printer is turned off.
2. Press and hold the  Cancel/Reset button, then press the  Power button until the printer turns on. MAINTENANCE MODE appears on the LCD panel.
3. Press  or  to select the settings described below. If you need to back up to the previous menu level, press the  button.
 - To change the language displayed on the LCD panel, select LANGUAGE and press . Press  until you see the language you want, then press  Enter to select it. Press  to return to the menu or  Cancel/Reset to exit.
 - To change the units of measurement, select UNIT and press . Select METRIC or FEET/INCH and then press  Enter to select it. Press  to return to the menu or  Cancel/Reset to exit.
 - To return all control panel settings to their default values, select DEFAULT PANEL and press . Press  Enter to restore the printer's defaults. Then press  to return to the menu or  Cancel/Reset to exit.
4. To exit maintenance mode, turn off the printer by pressing the  Power button. Press the  Power button again to turn on the printer in the normal operating mode.

Replacing the Maintenance Cartridge

The maintenance cartridge stores ink that gets flushed from the system during print head cleaning. When the cartridge is almost full, the message MAINTENANCE CARTRIDGE IS NEARLY FULL appears on the LCD panel. When the cartridge is completely full, the printer stops working and REPLACE THE CARTRIDGE appears on the LCD.

You can check how much space remains in the maintenance cartridge by viewing its indicator on the control panel, as shown below. You can also check its status using the printer's menus (see page 89) or by printing a nozzle check sheet (see page 90).



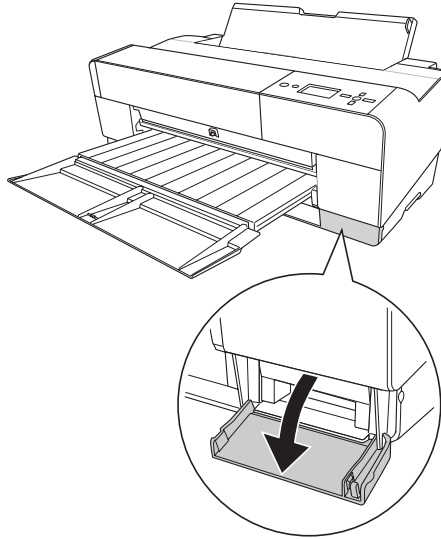
Replacement cartridges are available from Epson (product code T582000).

You can purchase replacement items for your printer from an authorized Epson reseller. To find the nearest reseller, call 800-GO-EPSON (800-463-7766). Or you can purchase online at www.epsonstore.com. (U.S. sales) or www.epson.ca (Canadian sales).

Follow these steps to replace the maintenance cartridge:

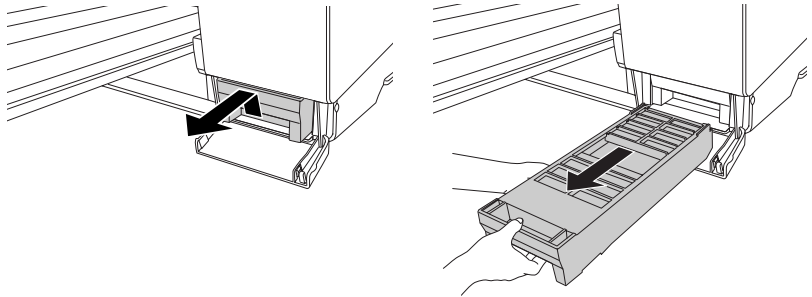
1. Make sure the printer is not printing or performing any other operations (READY or PAPER OUT should appear on the control panel).
2. Turn off the printer.

3. Open the maintenance cartridge cover.



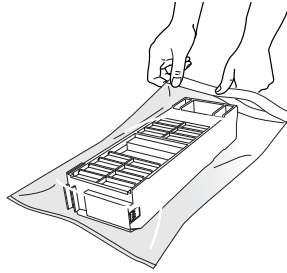
4. Grasp the handle of the maintenance cartridge, then push it up while gently pulling it toward you.

WARNING: If ink gets on your hands, wash them thoroughly with soap and water. If ink gets into your eyes, flush them immediately with water.



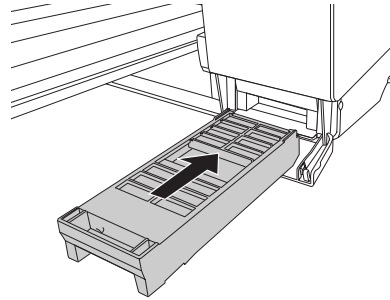
Caution: Be careful not to tilt the used cartridge or spill ink from it when removing it. Hold it upright at all times and dispose of it carefully.

5. Remove the replacement cartridge from its package. Then put the used maintenance cartridge in the plastic bag provided and dispose of it properly.

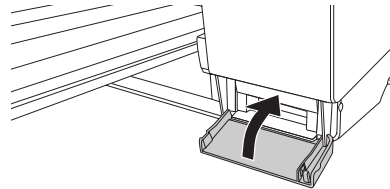


6. Insert the new maintenance cartridge into the printer as far as it will go.

Caution: Do not touch the green chip on the side of the maintenance cartridge. This may prevent normal operation.



7. Close the maintenance cartridge cover.



8. Turn the printer back on.

WARNING: Be careful not to touch the gears inside the printer.

Caution: To avoid damaging the components as well as the case, never use alcohol or thinners to clean the printer.

Be careful not to get water on the printer mechanism or on-screen components.

Don't use a hard or abrasive brush.

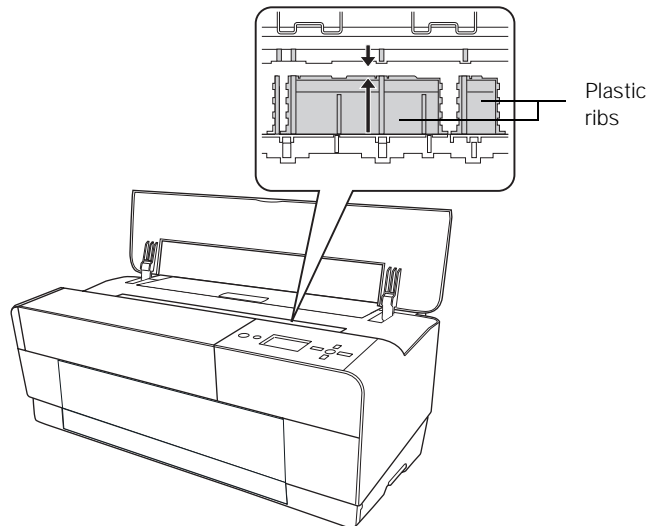
Do not touch the ink absorption pads; otherwise, printouts may be soiled.

Don't spray the inside of the printer with lubricants; unsuitable oils can damage the mechanism. Contact Epson if you think the printer needs lubrication.

Cleaning the Printer

To keep your printer working at its best, you should clean it several times a year.

1. Make sure the printer is turned off, then unplug the power cord and disconnect the printer from your system. Let the printer sit for a minute.
2. If the outer case is dirty, clean it with a soft, clean cloth dampened with mild detergent. Keep the ink cartridge compartment closed to prevent water from getting inside.
3. If the front manual tray is extended, close it by pushing it in.
4. Open the top cover and then use a soft, lint-free cloth to carefully remove any dust or dirt inside the printer. If the back of a printout is soiled, carefully clean the plastic ribs using a soft, lint-free cloth wiping in the direction of the arrows.



If the problem still occurs, clean the area using a soft, lint-free, dampened cloth. Then wipe the inside of the printer dry with a dry, lint-free, soft cloth.

Transporting or Storing the Printer

If you are moving the printer a short distance (for example, in the same building), close any open extensions and covers and remove the rear sheet guide if installed.

WARNING: The printer weighs about 43 lb (20 kg), and should be lifted by two people.

To ship the printer, you must repack it using the original box and packing materials. If you do not have these items, contact Epson to request them. Otherwise, the printer may be damaged beyond repair.

Preparing the Printer for Shipment

Caution: Do not remove the ink cartridges.

1. Turn the printer on and make sure the print head is in the home (far right) position.
2. Turn off the printer.
3. Unplug the power cord and interface cable.
4. Close any paper tray extensions and covers, and remove the rear sheet guide if installed.
5. Insert the protective materials included with the printer and repack it using the original box and packing materials. If you do not have these items, contact Epson to request them. Otherwise, the printer may be damaged beyond repair.

Caution: Do not turn off the printer by unplugging it or turning off a power strip. You will not be able to lock the print head, and ink may leak out of the reservoir, damaging the printer.

Setting Up the Printer After Transportation

Setting up the printer after transporting it is almost identical to setting it up for the first time. See the *Start Here* sheet for instructions.

Keep in mind that the first time you start printing after moving the printer, the print head nozzles may be clogged—especially if the printer hasn't been turned on for a long time. You may need to run a cleaning cycle (see page 90) and realign the print head (see page 93) to ensure good print quality.

Uninstalling and Reinstalling the Printer Driver

If you have a problem that requires you to uninstall and then re-install your printer driver software, follow the instructions in the appropriate section below.

Macintosh

Tip: Check the Epson Pro Imaging website at proimaging.epson.com for updated drivers and utilities that may become available.

Note: If you uninstall the printer driver and your product name remains in the Print & Fax or Print & Scan window, select your product name and click the – (remove) icon to remove it.


Note: If you find that re-installing your product software does not solve the problem, contact Epson.

In most cases, you do not need to uninstall your product software before re-installing it. However, you can download the Uninstall Center utility from the Epson support website to uninstall your product software as described below.

1. To download the Uninstall Center utility, visit Epson's **U.S. support website** (www.epson.com/support/uninstallcenter) or **Canadian website** (www.epson.ca/support/uninstallcenter).
2. Follow the instructions on the screen to install the Uninstall Center.
3. Quit all applications currently running on your Mac.
4. Select the checkbox for each software program you want to uninstall.
5. Click Uninstall.
6. Follow the on-screen instructions to uninstall the software.
7. To reinstall your product software, see the *Start Here* sheet for instructions.

Windows

You can uninstall and then reinstall your product software to solve certain problems.

1. Turn off the product.
2. Disconnect any interface cables.
3. Click  or Start, and select All Programs or Programs.
4. Do one of the following:

- **Windows 7 and Windows Vista:** Click Uninstall a program. Double-click Epson Stylus Pro 3880 Printer Uninstall in the program list, then select your printer icon.
 - **Windows XP:** Double-click Add/Remove Programs. Click Epson Printer Software in the program list, click Change/Remove, then select your printer icon.
5. Click OK and follow the on-screen instructions.
 6. If you want to reinstall your printer software, restart your computer. Then follow the instructions on the *Start Here* sheet to install the printer software or in Chapter 1 for network setups.

Updating Your Printer Firmware

You can check for a newer version of firmware on the Epson support site and update your printer, if necessary.

Downloading the Firmware

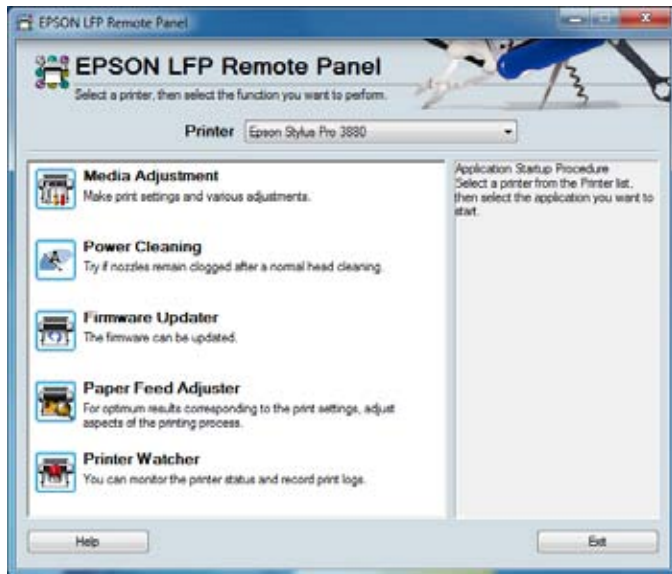
1. Navigate to epson.com/support in your browser.
2. Choose your printer.
3. Click Drivers and Downloads to find the newest firmware.
4. Choose the version for Macintosh or Windows and follow the instructions on the screen, then continue with the instructions below to update the firmware.

Note: Although the illustrations in this section show Macintosh screens, the procedure is the same in Windows.

Updating the Firmware

1. Double-click the firmware file to extract it.

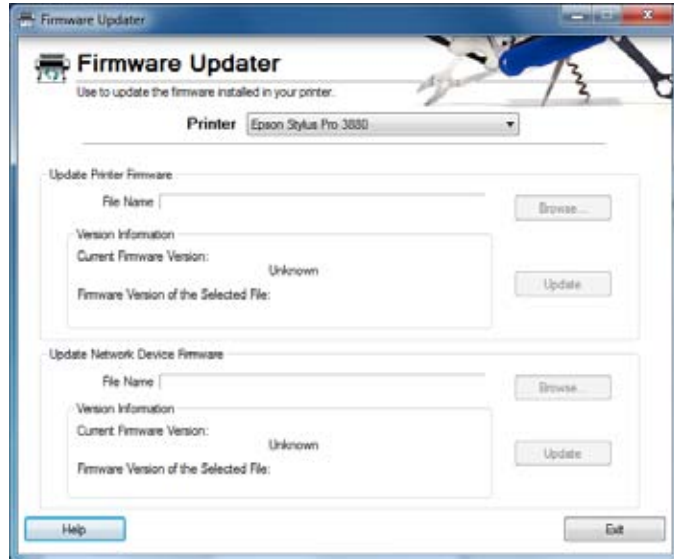
2. Double-click the EPSON LFP Remote Panel icon on your desktop. You see a window like this one:



Note: For more information on using the LFP Remote Panel, click **Help** to see the on-screen guide.

3. Double-click the Firmware Updater icon.

4. Make sure your printer is on, its LCD is set to Ready, and it is connected to your computer. Then choose Stylus Pro 3880 in the Printer list.



5. Click Browse and find the firmware that you just downloaded and extracted. Select the file and click Choose.
6. If the firmware version of the file is newer, click Update to start the firmware update process. (If it is the same, you don't need to update it.)
7. When the update is complete, close the Firmware Updater window and the LFP Remote Panel window.

Caution: Don't turn off the printer while the firmware is updating.

Chapter 6: Solving Problems

If you experience a problem with your printer, try to solve it by following the guidelines in this chapter:

- Diagnosing problems
- Checking error messages and lights
- Improving print quality
- Solving operational problems
- Solving miscellaneous printing problems
- Solving paper problems, including clearing paper jams

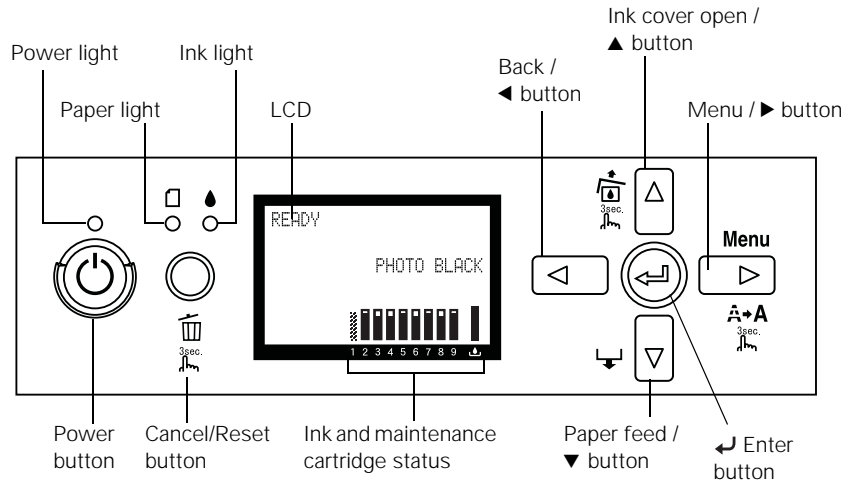
Diagnosing Problems

The Epson Stylus Pro 3880 includes a number of ways to help you diagnose problems:




- To identify the most common problems, check the messages on the control panel. See page 114 for more information.
- If you're using the Epson printer driver and Status Monitor utility, check your software for error messages. See Chapter 4 or 5 for more information.
- To determine whether the problem is caused by the printer itself, disconnect the printer from your computer and run a nozzle check from the control panel. See page 90 for instructions.
- If none of the suggested solutions in this chapter solve your problem, contact Epson as described under "Where To Get Help" on page 12.

Checking Error Messages and Lights

The control panel includes various lights and an LCD panel to indicate the status of the printer:



When your ink is low or expended, or paper runs out, or a problem occurs, a message appears on the LCD, and the lights on the control panel come on or flash. The following table lists the messages in alphabetical order and includes instructions for correcting the problem.





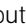
Message	Explanation	Response
BORDERLESS ERROR PRESS THE DOWN BUTTON. LOAD THE CORRECT SIZE PAPER	The installed paper is not supported for borderless printing or the PAPER SIZE CHECK setting is off.	Press the ▼ button, and then load a different size media. See “Choosing Paper Options” on page 71 for Windows, or “Choosing Page Setup and Basic Print Options” on page 48 for Macintosh. Also, select ON for PAPER SIZE CHECK in the printer’s menu system.
CANNOT OPEN COVER IS THERE ANYTHING ON THE PRINTER? PRESS THE UP BUTTON	Something may have been placed on top of the printer (ink cover).	Remove whatever has been placed on the printer (ink cover). Press the ▲ button to open the ink cover.
CARRIAGE LOCKED RELEASE THE CARRIAGE LOCK	The print head is locked.	Remove all protective materials from the print head to release it.
CLEANING ERROR PRESS THE CANCEL/RESET BUTTON	The nozzles are still clogged.	Press the  Cancel/Reset button, then run the Head Cleaning utility. See “Checking and Cleaning the Print Head” on page 90.
CLEANING ERROR PRESS THE DOWN BUTTON AND REMOVE THICK PAPER	Print head cleaning cannot be started because thick paper is loaded.	Remove the thick paper.
COMMAND ERROR CHECK DRIVER SETTINGS	Damaged data was sent to the printer or the data has an incorrect command. The installed printer driver is not correct for the printer.	Stop printing and press the  Cancel/Reset button for 3 seconds. Stop printing and press the  Cancel/Reset button for 3 seconds. Then make sure that the installed printer driver is correct for the printer.
FRONT FEED SLOT OPEN CLOSE THE FRONT MANUAL FEED SLOT	The front manual feed slot is open during operation.	Close the front feed slot.

Message	Explanation	Response
FRONT FEED SLOT OPEN LOAD MEDIA PRESS THE DOWN BUTTON	The front manual feed slot is open, but no paper is loaded.	Load a sheet of paper in the front slot, and then press the ▼ button.
FRONT FEED SLOT OPEN PRESS THE DOWN BUTTON AND REMOVE PAPER	Paper is loaded in the front manual feed slot.	Press the ▼ button, then remove the paper from the front manual feed slot.
FRONT SLOT CLOSED OPEN THE FRONT MANUAL FEED SLOT	The front manual feed slot is closed during operation.	Open the front slot by pushing it. If necessary, remove the paper.
INK CARTRIDGE ERROR CHECK CARTRIDGE	The wrong type of cartridge is installed.	Remove the ink cartridge and install one that is designed for your printer. See "Replacing Ink Cartridges" on page 95.
INK CARTRIDGE ERROR PLEASE INSTALL THE CORRECT CARTRIDGE	An ink cartridge that cannot be used with this printer is installed.	Remove the ink cartridge and install one that can be used in your printer. See "Replacing Ink Cartridges" on page 95.
INK CARTRIDGE ERROR PRESS THE UP BUTTON REPLACE THE CARTRIDGE	An ink cartridge is installed incorrectly (perhaps in the wrong slot).	Press the ▲ button to open the ink cover. Then remove the ink cartridge and install it correctly. See "Replacing Ink Cartridges" on page 95.
INK CARTRIDGE ERROR REPLACE CARTRIDGE	There is a problem with one of the ink cartridges. It may be installed in the wrong slot.	Remove the ink cartridge and reinstall it correctly. If this message appears after reinstalling the ink cartridge, replace it. See "Replacing Ink Cartridges" on page 95.

Message	Explanation	Response
INK CARTRIDGE NON-GENUINE CARTRIDGE! QUALITY OF NON-GENUINE INK MAY VARY.	The wrong type of cartridge is installed or is installed in the wrong slot.	Select NO (press the Menu ► button) if you want to replace the ink cartridge with a genuine Epson ink cartridge. See "Replacing Ink Cartridges" on page 95. Otherwise, select YES (press the ◀ button).
INK CARTRIDGE THIS MAY NOT PERFORM AT OPTIMUM. CONTINUE? <ACCEPT DECLINE>		
INK CARTRIDGE PLEASE USE GENUINE EPSON INK CARTRIDGES	A non-genuine ink cartridge is installed.	Replace the ink cartridge with a genuine Epson ink cartridge. See "Replacing Ink Cartridges" on page 95.
INK CARTRIDGE REPLACE INK CARTRIDGE	The ink cartridge is expended.	Install a new ink cartridge. See "Replacing Ink Cartridges" on page 95.
INK COVER OPEN CLOSE THE INK COVER	The ink cover is open.	Close the ink cover.
INK LOW	The ink cartridge is almost expended.	You need to replace the ink cartridge soon. Although you can continue printing when the INK LOW message appears, print quality may decline.
MAINTENANCE CART. REPLACE MAINTENANCE CARTRIDGE	The maintenance cartridge is full.	Replace the maintenance cartridge with a new one. See "Replacing the Maintenance Cartridge" on page 104.
MAINTENANCE CARTRIDGE ERROR REPLACE THE CARTRIDGE	The maintenance cartridge is not installed in the printer.	Install the maintenance cartridge.

Message	Explanation	Response
MAINTENANCE CARTRIDGE NEARLY FULL REPLACE THE CARTRIDGE	The maintenance cartridge is almost full.	You need to replace the maintenance cartridge soon with a new one. See "Replacing the Maintenance Cartridge" on page 104.
MAINTENANCE COVER OPEN CLOSE THE MAINTENANCE COVER	The maintenance cartridge cover is open.	Close the maintenance cartridge cover
MAINTENANCE REQUEST NNNN	A part used in the printer has nearly reached the end of its life. "NNNN" shows the product code for the part.	Note the code and contact Epson. See "Where To Get Help" on page 12.
MAINTENANCE PLEASE USE GENUINE EPSON CARTRIDGES	A non-genuine maintenance cartridge is installed.	Replace the maintenance cartridge with a genuine Epson maintenance cartridge. See "Replacing the Maintenance Cartridge" on page 104.
MAINTENANCE NON-GENUINE MAINTENANCE CARTRIDGE INSTALLED MAINTENANCE CAPACITY TO ABSORB INK MAY VARY. CONTINUE? <YES NO>	A non-genuine maintenance cartridge is installed.	Select NO (press the Menu ► button) if you want to replace the ink cartridge with a genuine Epson ink cartridge. See "Replacing Ink Cartridges" on page 95. Otherwise, select YES (press the ◀ button).
NO INK CARTRIDGE INSTALL INK CARTRIDGE	An ink cartridge is not installed.	Install any missing ink cartridges.
NO MAINTENANCE CART. INATALL THE MAINTENANCE CARTRIDGE	The maintenance cartridge is not installed in the printer.	Install the maintenance cartridge.

Message	Explanation	Response
NOT ENOUGH EMPTY SPACE REPLACE THE MAINTENANCE CARTRIDGE	The maintenance cartridge is almost full.	Replace the maintenance cartridge with a genuine Epson maintenance cartridge. See "Replacing the Maintenance Cartridge" on page 104.
NOT ENOUGH INK REPLACE INK CARTRIDGE WITH A NEW ONE	The ink cartridge is nearly expended.	Replace the ink cartridge with a new one. See "Replacing Ink Cartridges" on page 95.
PAPER EJECT ERROR PRESS THE DOWN BUTTON AND REMOVE PAPER	The printer could not eject the printout.	Press the ▼ button, then remove the printout.
PAPER ERROR LOAD PAPER	No paper is loaded in the printer.	Load paper correctly.
PAPER ERROR PRESS THE DOWN BUTTON.	The printer cannot detect the loaded media because it is wavy or curled.	Flatten the media.
LOAD PAPER CORRECTLY	The printer cannot detect the loaded media because the color of the paper is either transparent or black, like the platen color.	Select OFF for PAPER SIZE CHECK using the printer's menu system, or load the correct type of genuine Epson paper.
PAPER FEED ERROR LOAD PAPER CORRECTLY AND PRESS PAPER/FEED BUTTON	You have selected double-sided printing, but the printer cannot feed the paper correctly.	Load the paper that has just been ejected, and then press the ▼ button.
PAPER FEED ERROR REMOVE PAPER AND LOAD PAPER CORRECTLY	The printer cannot feed the paper correctly.	Remove the paper, then load the paper correctly.
PAPER JAM CLEAR JAMMED PAPER	Paper is jammed.	Remove the jammed paper. See "Paper Feed or Paper Jam Problems" on page 129 for details.
PAPER REMOVE REMOVE PAPER FROM THE REAR	You need to remove the paper from the rear manual feed slot.	Remove the paper from the rear feed slot.

Message	Explanation	Response
PAPER SENSOR ERROR PRESS THE  BUTTON. LOAD THE CORRECT PAPER	The loaded paper is not the same as the paper type selected for the Automatic Head Alignment.	Press the  Cancel/Reset button, and then load the paper that matches the type selected for the Automatic Head Alignment. See "Aligning the Print Head" on page 93.
PAPER SENSOR ERROR PRESS THE  BUTTON LOAD DIFFERENT PAPER	The loaded paper does not match the paper type selected.	Press the  Cancel/Reset button, and then load the paper that matches the type of paper you selected. See "Aligning the Print Head" on page 93 for details.
PAPER SETTING ERROR CHECK PAPER SOURCE IN THE DRIVER SETTINGS AND LOAD PAPER CORRECTLY	You are using the wrong paper path for the type of paper you're using.	Check the Paper Source setting in the printer driver, and load the paper in the correct slot. See "Choosing the Correct Paper Path" on page 29 and "Choosing Page Setup and Basic Print Options" on page 48 for Macintosh or "Choosing Paper and Layout Options" on page 71 for Windows.
PAPER SIZE ERROR LOAD THE CORRECT SIZE PAPER	The size of paper you loaded is not correct for the document/image you are printing.	Remove the paper and load media that is the correct size for what you are printing.
PAPER SKEW PRESS THE DOWN BUTTON. LOAD PAPER CORRECTLY	The paper is not loaded straight.	Press the  button, and then load the paper straight. If you are using the auto sheet feeder, you can use the top edge guide to help feed the paper straight. See page 35 for details.

Message	Explanation	Response
PRINTER ERROR RESTART THE PRINTER	Printer errors have occurred.	Turn the printer off, then turn it on.
REPLACE MAINTENANCE CARTRIDGE SOON	The maintenance cartridge is almost full.	Replace the maintenance cartridge with a genuine Epson maintenance cartridge. See "Replacing the Maintenance Cartridge" on page 104.
SERVICE CALL ERROR NNNN PLEASE CONTACT THE REPAIR CENTER	Print head is locked. A fatal error has occurred.	Remove all protective materials from the print head to release it. Turn the printer off, leave it for awhile, then turn it on again. If message appears again, note the code and contact Epson. See "Where To Get Help" on page 12.

Improving Print Quality

You can often improve print quality by doing the following:

- Run a nozzle check and cleaning cycle. See page 90 for instructions.
- Align the print head. See page 93 for instructions.
- When you send a print job, make sure your print options are set correctly. For more information, see Chapter 3 (Macintosh) or Chapter 4 (Windows).

If none of these suggestions help, try the solutions below.

Problem	Solution
Your print has horizontal or vertical banding.	<ul style="list-style-type: none"> • Check the ink indicators and light to see if you are low on ink. Replace ink cartridges if necessary, as described on page 95. • Run a nozzle check and cleaning cycle. See page 90 for instructions. • Align the print head from the printer's control panel, as described on page 93. • Turn off High Speed in your Advanced settings. • Make sure the Media Type setting in the printer software is correct for the media you're printing on. • Make sure the printable side of your media is loaded face-up. • Choose a higher resolution, such as SuperPhoto - 2880dpi. • If you're using a third-party RIP and non-Epson media, see if the RIP provides a method for adjusting the paper feed. <p>Try adjusting your paper configuration settings (see page 63 for Macintosh or page 74 for Windows). Check these settings:</p> <ul style="list-style-type: none"> • Make sure the Paper Thickness setting is correct for the paper you're printing on. • Use the Paper Feed Adjustment to eliminate banding (see page 44). Reduce the value for white lines, or increase it for overlapping dark lines. • If you've created a custom paper configuration, be sure to return the setting to STANDARD when you're done using it. See page 45.

Problem	Solution
Your print is grainy, or has misregistration or ghosting.	<ul style="list-style-type: none"> ▶ Check the ink indicators and light to see if you are low on ink. Replace ink cartridges if necessary, as described on page 95. ▶ Run a nozzle check and cleaning cycle. See page 90 for instructions. ▶ Align the print head from the printer's control panel, as described on page 93. ▶ Make sure the Media Type setting in the printer software is correct for the media you're printing on. <hr/> <ul style="list-style-type: none"> ▶ Make sure the printable side of the paper is loaded face-up in the tray. ▶ Choose a higher resolution, such as SuperPhoto - 2880. ▶ Turn off High Speed in your Advanced settings. <p>Try adjusting your paper configuration settings (see page 63 for Macintosh or page 74 for Windows). Check these settings:</p> <ul style="list-style-type: none"> ▶ Make sure the Paper Thickness setting is correct for the paper you're printing on. ▶ Use the Paper Feed Adjustment to eliminate banding (see page 44). Reduce the value for white lines, or increase it for overlapping dark lines. ▶ If you've created a custom paper configuration, be sure to return the setting to STANDARD when you're done using it. See page 45.
Your print has gaps or appears faint.	<ul style="list-style-type: none"> ▶ Make sure the Media Type setting in the printer software is correct for the media you're printing on. ▶ Run a nozzle check and cleaning cycle. See page 90 for instructions. ▶ Check the ink indicators and light to see if you are low on ink. Replace ink cartridges if necessary, as described on page 95. ▶ The Paper Thickness setting is not correct for the paper you're printing on. Use your printer software (see page 63 for Macintosh or page 75 for Windows) to choose the correct setting. ▶ The platen gap setting is too wide. Use the printer's menu system to change the setting to STANDARD, or to NARROW if printing on very thin paper. See page 42 for instructions.

Problem	Solution
Colors are incorrect or missing.	<ul style="list-style-type: none"> ▶ Make sure the Media Type setting in the printer software is correct for the media you're printing on. ▶ If you are using the color management features in Photoshop or another application, you must turn off color management in the printer driver. See page 54 (Macintosh) or page 68 (Windows). ▶ Adjust the Color Density setting in the Paper Configuration utility. ▶ If you're using a third-party RIP or non-Epson media, custom color profiles will give you the best color reproduction. ▶ Make sure the printable side of your media is loaded face-up. ▶ Run a nozzle check and cleaning cycle. See page 90 for instructions. ▶ Check the expiration date printed on each of the ink cartridges. If the cartridge is too old, replace it as described on page 95. ▶ Check the ink indicators and light to see if you are low on ink. Replace ink cartridges if necessary, as described on page 95. ▶ Make sure color settings in your application or printer software are correct. ▶ To produce sharper images with more vivid colors in Windows, select PhotoEnhance in the Advanced menu. You can also select Color Controls in the Advanced menu, and adjust the color, brightness, and other settings. ▶ For Macintosh, select Color Controls in the Printer Color Management section in the Print window. See "Choosing Color Management Options" on page 54.
Your print appears blurry or smeared.	<ul style="list-style-type: none"> ▶ Make sure the Media Type setting in the printer software is correct for the media you're printing on. ▶ If you're printing on non-Epson media, you may need to adjust the paper thickness setting, drying time, or color density. Use your printer software (page 55 for Macintosh or page 75 for Windows) to choose the correct setting. ▶ Your paper doesn't meet the required specifications or wasn't stored in a dry, humidity-free environment. Load new paper. ▶ Make sure the printable side of your media is loaded face-up. ▶ Ink has leaked into the paper path. Wipe the paper path area of the printer with a soft, clean cloth. See page 107 for cleaning instructions. ▶ Turn off High Speed in your Advanced settings. ▶ The platen gap setting is too narrow. Use the printer's menu system to change the setting to WIDE or WIDER. See page 42 for instructions. ▶ Run a nozzle check and cleaning cycle. See page 90 for instructions.



Problem	Solution
The bottom edge of your print is smeared.	<ul style="list-style-type: none"> ▶ The paper is curled toward the printable side. Flatten it or curl it the other way. ▶ Make sure the Media Type setting in your printer software is correct for the media you're printing on. ▶ If you're printing on non-Epson media, you may need to adjust the paper thickness setting or drying time. See page 42. ▶ If you're printing on thick paper, the platen gap setting may be too narrow. Use the printer's menu system to change the setting to WIDE or WIDER. See page 42 for instructions.



Solving Operational Problems

If you can't turn the printer on, if it stops printing unexpectedly, or if nothing prints, check the following:

- The printer is turned on.
- Paper is loaded in the printer.
- The printer is plugged securely into a working electrical outlet that's not controlled by a switch or timer.
- The interface cable is securely connected to the printer and your system.
- The voltage supplied by the electrical outlet matches the voltage on the printer's rating label. If not, turn off the power and unplug the power cord immediately. Contact Epson for assistance (see page 12).



If none of these suggestions help, try the following solutions.

Problem	Solution
The printer stops printing unexpectedly.	<ul style="list-style-type: none"> ▶ If the  Power light is flashing, the printer is performing a maintenance procedure or waiting for ink to dry. Check the display message and lights on the control panel. Wait until the  Power light stops flashing. ▶ Check the display message and lights on the control panel to see if an error has occurred. Follow the instructions for the messages beginning on page 114.
The printer sounds as if it's printing, but nothing prints.	<ul style="list-style-type: none"> ▶ Follow the instructions beginning on page 90 to clean the print head. ▶ Communication between the computer and printer may have been momentarily interrupted. Try restarting the computer and printing again.

Problem	Solution
Nothing prints.	<ul style="list-style-type: none"> ▶ Turn off the printer and computer. Make sure the interface cable is securely plugged in. Then restart the printer and computer. ▶ Make sure the interface cable meets the required specifications. See page 10 or 11. ▶ Your Epson printer is not selected as the default printer. Install the printer driver if it is not installed yet, and follow the instructions below to select your Epson printer as the default printer. <p data-bbox="411 461 1293 548">Windows 7 and Windows Vista: Click , Control Panel, and then click Printers. Right-click EPSON Stylus Pro 3880 and select Set As Default. Then close the window.</p> <p data-bbox="411 565 1293 652">Windows XP: Click Start, Control Panel, Printers and Other Hardware, and then click Printers and Faxes. Right-click EPSON Stylus Pro 3880 and select Set As Default Printer. Then close the window.</p> <p data-bbox="411 670 1293 722">Macintosh: Make sure the Stylus Pro 3880 printer driver is correctly added to the Printer Setup Utility.</p> ▶ The printer port setting doesn't match the printer connection port (Windows). <p data-bbox="411 774 1293 861">Windows 7 and Windows Vista: Click , Control Panel, and then click Printers. Right-click EPSON Stylus Pro 3880 and select Properties. Click the Ports tab and make sure your printer port is selected.</p> <p data-bbox="411 878 1293 965">Windows XP: Click Start, Control Panel, Printers and Other Hardware, Printers and Faxes. Right-click EPSON Stylus Pro 3880, and select Properties. Click the Ports tab and make sure your printer port is selected.</p> ▶ Follow the instructions beginning on page 109 to uninstall your printer software. Then locate your printer software CD-ROM and reinstall the software. You can also download and install the latest driver for Macintosh or Windows from the Epson website at epson.com/support.

Solving Miscellaneous Printing Problems

If your printouts are not what you expected, try the suggestions below:

Problem	Solution
Your print has incorrect or garbled characters.	<ul style="list-style-type: none"> ▶ Make sure your software is installed correctly and the printer is selected in your application. ▶ Clear any stalled print jobs from the Printer Setup Utility. ▶ Turn off the printer and computer. Make sure the interface cable is securely plugged in at both ends.
Your print has incorrect margins.	<ul style="list-style-type: none"> ▶ Check the page size or paper size settings in your application. Make sure they are within the printer's printable area. ▶ Make sure the Paper Size and Borderless settings in your printer software are correct for the paper you're using. ▶ Paper is loaded incorrectly. Follow the instructions in Chapter 2 to reload the paper.
Your image is inverted.	<ul style="list-style-type: none"> ▶ Turn off the Flip Horizontal setting in your printer software. See page 47 (Macintosh) or page 65 (Windows) for instructions.
Blank paper is printed.	<ul style="list-style-type: none"> ▶ Make sure your software is installed correctly and the printer is selected in your application. ▶ Make sure the Paper Size setting in your printer software is correct for the paper you're using. ▶ Make sure the Paper Source setting in your printer software is correct.
A ruled line on your print appears to shift.	Align the print head as described on page 93.
Color images print in black only.	Make sure Color is selected in your printer software.
The printer continues to feed paper after you have cancelled a job.	<ul style="list-style-type: none"> ▶ Press the  Cancel/Reset button to clear any print job data in the printer's buffer. Then press and hold the  Cancel/Reset button to reset the printer.

Problem	Solution
Printing is too slow.	<ul style="list-style-type: none"> ▶ Turn on High Speed in your Advanced settings. ▶ Choose a lower resolution in your printer software for faster printing. ▶ Select Automatic mode and move the slider towards Speed (on the Main tab in Windows or in the Print Settings section of the Print window in Macintosh). ▶ Clear space on your hard drive or run a defragmentation utility. ▶ Don't run too many applications at the same time. ▶ Turn off virtual memory. ▶ Add RAM to your system. ▶ Consider upgrading your system to support a faster connection to the printer, such as USB 2.0.

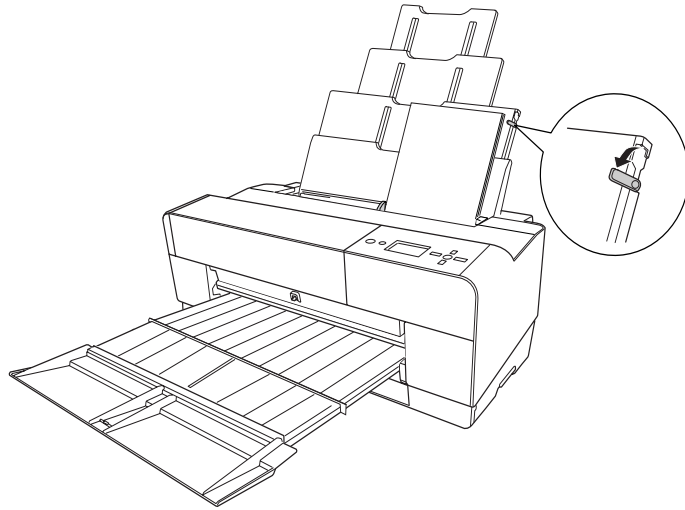
Solving Paper Problems

If paper feed or paper jam problems occur frequently, try one or more of the following solutions:

- For heavy or thick media, follow the instructions on page 135 to load the media correctly in the front slot.
- Make sure the paper is not folded, wrinkled, or damp.
- Make sure the printer's environment falls within the required temperature and humidity range (see page 135).
- Make sure the paper is not too thick or too thin. See page 135 for paper specifications.
- Make sure no foreign objects are inside the paper path.
- Make sure the printer isn't located in a brightly lit area. The paper sensors may not operate correctly.
- Make sure the Media Type and Paper Source settings in the printer software are correct.
- Make sure the platen gap setting is correct for the paper or media you're printing on. See page 42 for more information.
- If you're not using Epson media, make sure you use a paper configuration to adjust for the paper's thickness and drying time (see page 45).

Paper Skews When Printing on Large Format Media

If your paper skews while feeding into the printer, use the edge guide on the right side of the auto sheet feeder to help the paper feed straight.



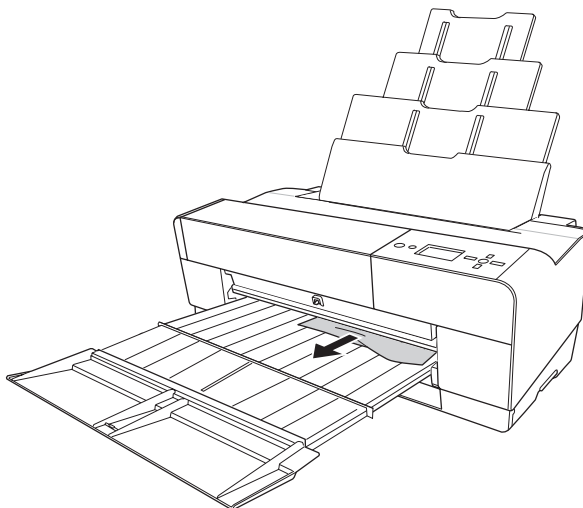
Paper Feed or Paper Jam Problems

If paper jams frequently while feeding or during printing, try one or more of these solutions:

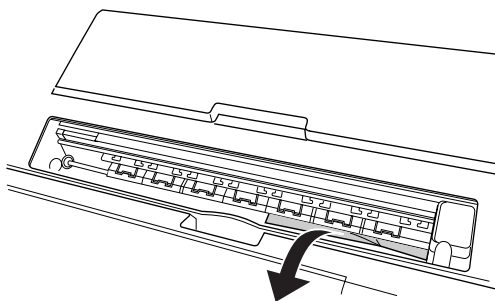
- Make sure the paper is not folded, wrinkled, or curled.
- Make sure the printer is located in an environment that is within the printer's operational temperature range (see page 134).
- Make sure the paper is not damp.
- Store unused paper in its original package.
- Make sure the paper is not too thick or too thin.
- Make sure no foreign objects are inside the printer.
- Check the Media Type setting in the printer software and make sure it is correct for the type of paper you are using.
- Make sure the platen gap setting is correct for your paper (see page 42).
- If you are using a custom paper configuration for non-Epson special media, check the paper type selected in the printer's menu (see page 45).

Clearing a paper jam from the auto sheet feeder

1. Turn off the printer.
2. Carefully remove the jammed paper from the output tray.



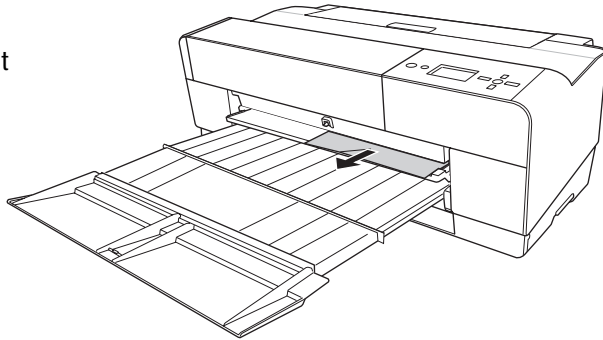
If necessary, open the top cover, and remove any jammed paper from the area shown below.



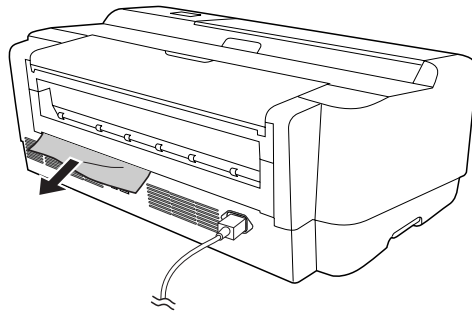
Clearing a paper jam from the front manual feed slot

1. Turn off the printer.
2. If necessary, press the ▼ button to eject the sheet.
3. Remove the jammed paper from the front or back of the printer.

Front

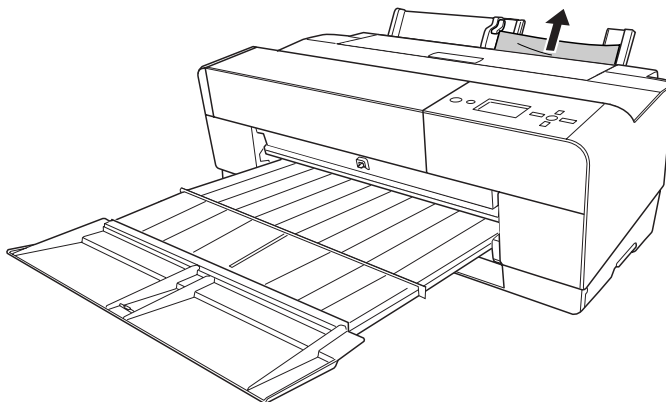


Back



Clearing a paper jam from the rear manual feed slot

1. Make sure the printer is turned on.
2. Press the ▼ button to feed the paper backward.
3. Remove the jammed paper from the back.



Appendix A: Specifications

This appendix provides the specifications for your printer.

Printing

Printing method	Pressurized on-demand ink jet		
Nozzle configuration	Black: 180 nozzles × 3 (Matte Black or Photo Black, Light Black, Light Light Black) Color: 180 nozzles × 5 (Cyan, Vivid Magenta, Light Cyan, Vivid Light Magenta, Yellow)		
Character mode	Character pitch	Printing column	
	10 characters per inch	167	
Raster graphic mode	Horizontal resolution	Printable width	Available dots
	360 dpi	17.39 inches (441.8 mm)	6262
	720 dpi	17.39 inches (441.8 mm)	12524
	1440 dpi	17.39 inches (441.8 mm)	25047
	2880 dpi	17.39 inches (441.8 mm)	50094
Resolution	Maximum 2880 × 1440 dpi		
Print direction	Bidirectional		
Control code	ESC/P® Raster		
RAM	64MB		
Character tables	PC 437 (US, Standard Europe) PC 850 (Multilingual)		
Character sets	Epson Courier 10 cpi		

Environmental

Specification	Operation	Storage
Temperature	50 to 95 °F (10 to 35 °C)	-4 to 104 °F (-20 to 40 °C)
	Print quality guarantee: 59 to 77 °F (15 to 25 °C)	
Humidity (without condensation)	20 to 80% RH 40 to 60% RH for optimum print quality For optimal operation, humidity should be between 35 and 45% RH	5 to 85% RH

Electrical

Specification	Description
Input voltage range	90 V to 264 V
Rated frequency range	50 to 60 Hz
Input frequency range	49 to 61 Hz
Rated current	0.6 A at 120 V 0.3 A at 220 V
Power consumption	Approx. 25 W or less (ISO 10561 letter pattern) 5 W or less in low power mode 0.3 W or less in power off mode

Check the label on the back of your printer for voltage information.

Dimensions and Weight

Specification	Covers closed	Covers open
Height	10.28 inches (257 mm)	22.8 inches (579 mm)
Width	27.36 inches (684 mm)	27.36 inches (684 mm)
Depth	14.88 inches (376 mm)	37.87 inches (962 mm)
Weight	43.2 lb (19.6 kg) with cartridges installed	

Printer Interfaces

- USB (1.1 and 2.0 compatible)
- Ethernet (10/100Base-TX)

Safety Approvals

Safety standards	UL 60950-1, CSA 22.2 No. 60950-1
EMC	FCC part 15 subpart B, class B, CSA C108.8 class B

Media

Sizes	3.5 × 5 inches
	4 × 6 inches
	5 × 7 inches
	5.5 × 8.5 inches
	8 × 10 inches
	A4 (8.3 × 11.7 inches)
	Letter (8.5 × 11 inches)
	Legal (8.5 × 14 inches)
	10 × 12 inches
	B4 (JB4) (10.1 × 14.2 inches)
	11 × 14 inches
	30 × 40 cm (11.8 × 15.7 inches)
	A3 (11.7 × 16.5 inches)
	US B (11 × 17 inches)
	Super A3/B (13 × 19 inches)
	B3 (JB3) (14.2 × 20.3 inches)
	16 × 20 inches
	40 × 60 cm (15.7 × 23.6 inches)
	A2 (16.5 × 23.4 inches)
	US C (17 × 22 inches)

Weight range	17 lb bond up to 24 lb
---------------------	------------------------

Since the quality of any particular brand or type of paper may be changed by the manufacturer at any time, Epson cannot attest to the quality of any non-Epson brand or type of paper. Always test samples of paper stock before purchasing large quantities or printing large jobs.

Poor quality paper may reduce print quality and cause paper jams or other problems. If you encounter problems, switch to a higher grade of paper. Do not use curled, folded, or deckle-edge paper.

Printable Area

Default cut sheet margins are 0.12 inch (3 mm) top, right, and left, and 0.56 inch (15 mm) bottom.

The borderless printing feature allows edge-to-edge printing on some media.

Ink Cartridges

Cartridge life: 2 years from production date if unopened; within 6 months after opening package, at 77 °F (25 °C)

Temperature: -4 to 104 °F (-20 to 40 °C); 1 month at 104 °F

Capacity: 80 ml

Dimensions
Width: 1.19 inches (30.1 mm)
Depth: 3.68 inches (93.4 mm)
Height: 2.76 inches (70.2mm)

Index

A

- Accessories, 11, 96
- Adding printer (Macintosh), 22 to 23
- Advanced Black and White mode, 75
- Advanced Black and White Photo
 - Mac OS X, 57 to 59
 - Windows, 75 to 77
- Aligning print head, 93
- Always spool RAW datatype setting, 81

B

- Banding, 122
- Black and white photos
 - Mac OS X, 57 to 59
 - Windows, 75 to 77
- Black-and-white printing, 75
- Blank pages, 127
- Blurry prints, 124
- Bonjour printing, 23
- Borderless printing
 - Windows, 72
- Buttons, control panel, 114

C

- Cable
 - problems, 126, 127
 - requirements, 10, 11
- Canceling print jobs
 - Mac OS X, 60
 - Windows, 80
- Cartridges, *see* Ink cartridges
- Cleaning
 - print head, 90 to 92
 - printer, 107
- Coarse Rendering setting, 82
- Color management
 - Mac OS X, 54, 57 to 59
 - Windows, 68 to 77

- Color problems, 127
- ColorSync settings, 54
- Component life, checking, 88 to 89
- Control Panel, 114
- Control panel
 - aligning print head, 93
 - buttons, 114
 - changing language, 103
 - changing measurement units, 103
 - cleaning print head, 92
 - component life, checking, 88 to 89
 - illustration, 114
 - ink levels, checking, 88 to 89, 96
 - lights, 114 to 120
 - messages, 114 to 120
 - monitoring printer, 114 to 120
 - restoring default settings, 103
 - status check, printing, 88
- Custom paper size
 - Macintosh, 51
 - Windows, 71 to 72
- Custom Preset
 - Mac OS X, 59
 - Windows, 77 to 78

D

- Date and time setting, 101 to 102
- Deleting print jobs
 - Mac OS X, 60
 - Windows, 80
- Depth of printer, 134
- Diagnosing problems, 113
- Dimensions of printer, 134
- Documentation, how to use, 9

E

- Electrical specifications, 134
- Energy consumption, 134
- Enlarging images, 74
- Environmental specifications, 134

Epson
accessories, 11, 96
help, 12
Preferred Protection Plan, 12
Store, 11, 96
Error messages, 114 to 120
Error notification, Windows, 83
Ethernet interface
configuring, 16 to 18
connecting, 15
system requirements, 11
Expansion setting
Macintosh, 56
Windows, 73

F

Faint prints, 123
Firmware, updating, 110 to 112
Flip Horizontal setting
Mac OS X, 53
problems, 127

H

Head Alignment menu, 93
Height of printer, 134
Help, Epson, 12
High Speed Copies setting, 81
High Speed setting
Mac OS X, 53
Windows, 68
Humidity requirements, 134

I

Ink
lightfastness, 136
maintenance cartridge, 88 to 89
monitoring level, 61 to 62

Ink cartridges
checking status, 80, 88 to 89, 96
ordering, 96
replacing, 95 to 100
safety instructions, 14
specifications, 136
Ink light, 114 to 118
Installing printer driver
Macintosh, 20
Windows, 18 to 20

J

Jams, paper, 129 to 132
Job history, 89

L

Layout
Windows options, 71 to 74
LFP Remote Panel, 110 to 112
Lightfastness, 136
Lights, control panel, 114 to 120

M

Mac OS X
advanced media control settings,
55
basic print options, 48 to 53
black and white photos, 57 to 59
canceling print jobs, 60
color management, 54, 57 to 59
ColorSync settings, 54
custom preset, 59
Media Type setting, 52, 63
monitoring print jobs, 60

Macintosh

- adding printer, 22 to 23
- Bonjour printing, 23
- checking ink levels, 61 to 62
- Expansion setting, 56
- installing printer driver, 20
- Printer Utility, 62
- software, uninstalling, 109
- Status Monitor, 61 to 62
- system requirements, 10
- TCP/IP printing, 22
- Maintenance, 87 to 107
- Maintenance cartridge
 - checking status, 88 to 89
 - ordering, 11
 - replacing, 104 to 106
- Maintenance menu, 92
- Maintenance mode, 103
- Manuals, how to use, 9
- Margins
 - incorrect, 127
 - printing without, 72
- Media Type
 - Mac OS X, 52, 63
 - Windows, 67, 84
- Memory requirements, 10 to 11
- Monitoring printer
 - control panel, 114 to 120
 - Mac OS X, 60
 - Macintosh, 61 to 62
 - Windows, 80 to 83
- Motors, checking status, 88 to 89
- Moving printer, 108

N

- Network port
 - Windows, 21 to 22
- Network setup
 - control panel, 16 to 18

O

- Optimize Enlargement setting, 74
- Optional equipment, 11

P

- Page Rendering Mode setting, 82
- Paper
 - configuration settings, 55, 74 to 75, 123
 - custom settings, 43 to 45
 - custom size, 51
 - custom size, creating, 50, 71 to 72
 - handling, 25 to 45
 - jams, 129 to 132
 - loading, 29 to 41
 - Mac OS X options, 51
 - non-Epson, 43 to 45
 - printable area, 136
 - problems, 128 to 132
 - Windows options, 71 to 74
- Paper light, 114 to 120
- Paper paths, choosing, 29 to 32
- Paper Size setting
 - Mac OS X, 51
 - problems, 127
 - Windows, 72
- Paper Source setting
 - problems, 127
 - Windows, 71
- Pausing print jobs
 - Mac OS X, 60
 - Windows, 80
- PhotoEnhance, 70
- Platen Gap setting
 - Mac OS X, 56
 - Windows, 75
- Platen gap setting, 123
- Power cleaning cycle, 92
- Power consumption, 134
- Preset
 - Mac OS X, 59
 - Windows, 77 to 78
- Print as Bitmap setting, 82
- Print head
 - aligning, 93
 - checking status, 88 to 89
 - cleaning, 90 to 92

- Print jobs
 - canceling, 60, 80
 - managing, 60, 80 to 83
 - pausing, 60, 80
- Print quality
 - Mac OS X, 53
 - problems, 122 to 125
 - Windows, 67 to 68
- Print speed, improving in Windows, 82
- Printable area, 136
- Printer
 - checking status, 61 to 62, 80 to 83, 88
 - cleaning, 107
 - dimensions, 134
 - firmware update, 110 to 112
 - maintaining, 87 to 107
 - monitoring, 61 to 62, 80 to 83
 - motors, checking status, 88 to 89
 - moving, 108
 - port, 126
 - setting up on network, 15
 - software, uninstalling, 109 to 110
 - specifications, 134 to 136
 - status check, 88 to 89
 - storing, 108
 - total print volume, 89
 - transporting, 108
 - turning off, 13
- Printer driver
 - installing in Macintosh, 20
 - installing in Windows, 18 to 20
- Printer menus
 - Custom Paper, 43 to 45
 - Head Alignment, 93
 - Maintenance, 92
 - Printer Status, 89
 - Test Print, 88

- Problems
 - banding, 122
 - blank paper, 127
 - blurry prints, 124
 - cable, 126, 127
 - color, 127
 - diagnosing, 113
 - faint prints, 123
 - garbled characters, 127
 - ghosting, 123
 - graininess, 123
 - inverted image, 127
 - margin, 127
 - misalignment, 122
 - misregistration, 123
 - nothing prints, 126
 - operational, 125 to 126
 - paper, 128 to 132
 - paper feeding, 127
 - paper jams, 129 to 132
 - print quality, 122 to 125
 - print speed, 82
 - printer driver, 126 to 127
 - printing stops, 125
 - smear prints, 124 to 125
- Progress Meter, 80, 81

Q

- Quality Options, Windows, 67 to 68

R

- Registering non-Epson media, 43 to 45
- Requirements, system, 10 to 11
- Resolution
 - Mac OS X, 53
 - Windows, 67

S

- Safety
 - approvals, 135
 - instructions, 12 to 14

- Setting up printer, on network, 15
- Software, uninstalling, 109 to 110
- Specifications
 - electrical, 134
 - environmental, 134
 - ink cartridges, 136
 - printable area, 136
 - printer, 134 to 136
- Speed and Progress utility, 80 to 83
- Status Monitor
 - Macintosh, 61 to 62
 - Windows, 80 to 83
- Storing printer, 108
- Support, Epson, 12
- System requirements, 10 to 11

T

- TCP/IP
 - setting up, 22
- Technical support, 12
- Temperature requirements, 134
- Test Print menu, 88
- Time and date setting, 101 to 102
- Tone color circle, 77
- Total prints, checking, 89
- Transporting printer, 108
- Troubleshooting, 113 to 132

U

- UltraChromeK3 ink cartridges, 96
- Uninstalling software, 109 to 110
- Unit ID number, 12
- Usage count, 89
- USB, cable requirements, 10, 11
- User-defined paper size, 71 to 72
- Utility menu
 - Macintosh, 62
 - Windows, 81, 90

W

- Waste ink, 104 to 106
- Waste ink system, 88 to 89

- Width of printer, 134
- Windows
 - adding network port, 21 to 22
 - Advanced Black and White mode, 75
 - basic print options, 66 to 68
 - black and white photos, 75 to 77
 - borderless printing, 72
 - canceling print jobs, 80
 - color management, 68 to 77
 - custom presets, 77 to 78
 - driver, 65
 - Expansion setting, 73
 - installing printer driver, 18 to 20
 - layout options, 71 to 74
 - managing print jobs, 80 to 83
 - Media Type setting, 84
 - monitoring preferences, setting, 83
 - paper configuration options, 74 to 75
 - software, uninstalling, 109
 - Speed and Progress utility, 80 to 83
 - status alerts, 83
 - Status Monitor, 80 to 83
 - system requirements, 10 to 11
 - user-defined paper size, 72

